

# Acu-Flow

## Resilient Seated Gate Valves DATA SHEET

### DN50 ~ DN600 PN16

Designed and certified to AS 2638.2

Flange drilling to AS 4087 Figure B5  
AS 2129 Table D/E

Coating to AS 4158



Certificate No.  
5130-1993-AQ-RGC-RvA



License No.  
SMKP 20171



License No.  
SMKP 20551



License No.  
SMKP 20133



**Flanged**

### General Application:

Ductile iron resilient seated gate valves for waterworks purposes, used to convey potable, waste and recycled water, typical sewage for below ground or above ground applications. Designed as isolation valves for sections and branches in pipelines.

### Features:

- Ductile iron body and bonnet for high strength and impact resistance.
  - Ductile iron gate fully encapsulated in EPDM rubber to ensure a drip tight seal.
  - Grade 431 stainless steel spindle for strength and corrosion resistance.
  - Back seal facility to allow for replacements of stem seals under operating pressure.
  - All bolts & fasteners stainless steel grade 316 for corrosion protection.
  - Available in flanged or Socket ends.
  - Full flow for minimal pressure drop.
  - Stem nut is separated from the gate, for easy open & close.
  - Cast integral feet for safe and easy storage.
  - Lifting eyes for easy safe installation. (Sizes 150mm & over)
  - White cap anti clockwise closing and red cap clockwise closing available.
- Optional: Blue color - Water supply; Lilac color - Recycled water.
- Key or hand wheel operation available. (Gearbox optional)

### Technical Data:

- Size Range: DN50~DN600.
- Allowable Operating Pressure: 1600KPa.
- Valve designed for use up to 70°C
- for AS 4020 compliance, max temperature 40°C
- End Connections:
  - Flanged to AS 4087 Fig. B5 or AS 2129 Table D/E.
  - Sockets to AS/NZS 2280
- Fluidized bed Coating to AS 4158 - Jotun blue corro coat EPF-5001. LIC: SMKP 20551
- Approvals:
  - WSAA appraisal No.11/26 (DN80~DN300)
  - AS 2638.2 Product Mark
  - Registration No. SMKP 20171 (DN80~DN600)

### Hydraulic Tests:

- Seat test to AS 2638.2: 1760KPa
- Body test to AS 2638.2: 2400KPa
- Operating torque test comply with AS 2638.2 Table 5.1

### Warranty:

The products are covered by normal commercial and legal requirements of the trade practices Act 1974, which covers manufacture to the relevant standard.

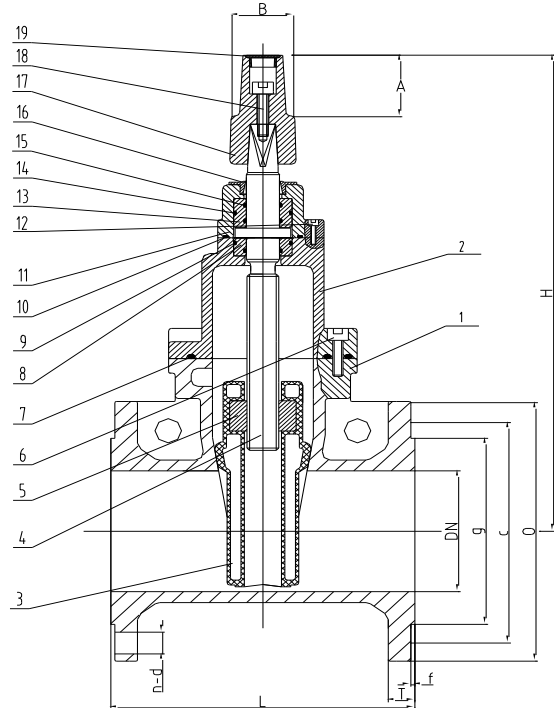
# Acu-Flow

## Resilient Seated Gate Valves DATA SHEET DN50 ~ DN600 PN16



### Component List:

No.	Description	Material	Standard
1	Body	Ductile Iron	AS 1831
2	Bonnet	Ductile Iron	AS 1831
3	Gate Wedge	Ductile Iron	AS 1831
4	Spindle Stem	Stainless Steel	ASTM A 276 431
5	Gate Nut	Gunmetal	AS 1565 C83600
6	Screws	Stainless Steel	ASTM A 276 316
7	Body Gasket	EPDM	AS 1646
8	Seal Bushing	Gunmetal	AS 1565 C83600
9	O Ring	NBR	AS 1646
10	Bonnet Gasket	EPDM	AS 1646
11	Top Bonnet	Ductile Iron	AS 1831
12	Screws	Stainless Steel	ASTM A 276 316
13	Seal Bushing	Gunmetal	AS 1565 C83600
14	O Ring	NBR	AS 1646
15	O Ring	NBR	AS 1646
16	Dustproof Cover	EPDM	AS 1646
17	Spindle Cap	Ductile Iron	AS 1831
18	Screw	Stainless Steel	ASTM A 276 316
19	Plastic Cap	PE	-



### Dimensions (mm):

Ref. Code Clockwise	Ref. Code Anti Clockwise	DN	L	H	g	c	o	T	n-d	f	Spindle cap		Weight (KG)
											A	B	
VRSCC80C	VRSACC80C	80	203	362	122	146	185	18	4-18	3	50	35	20
VRSCC100C	VRSACC100C	100	229	386	154	178	215	20	4-18	3	50	35	25
VRSCC150C	VRSACC150C	150	267	506	211	235	280	23	8-18	3	50	35	50
VRSCC200C	VRSACC200C	200	292	622	268	292	335	23	8-18	3	57	35	85
VRSCC225C	VRSACC225C	225	305	726	300	324	370	24	8-18	3	57	35	105
VRSCC250C	VRSACC250C	250	330	726	328	356	405	24	8-22	3	57	35	125
VRSCC300C	VRSACC300C	300	356	825	378	406	455	30	12-22	4	57	35	170
VRSCC350C	VRSACC350C	350	381	960	438	470	525	32	12-27	4			258
VRSCC375C	VRSACC375C	375	381	1093	463	495	550	33	12-27	4			303
VRSCC400C	VRSACC400C	400	406	1103	489	521	580	33	12-27	4			330
VRSCC450C	VRSACC450C	450	432	1173	552	584	640	35	12-27	4			330
VRSCC500C	VRSACC500C	500	457	1279	609	641	705	38	16-27	4			
VRSCC600C	VRSACC600C	600	508	1440	717	756	825	41	16-31	5			600