

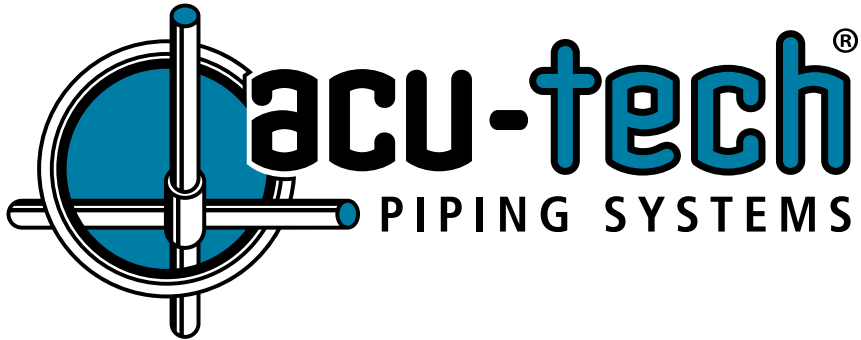


# HDPE PIPE SYSTEMS

PRODUCT CATALOGUE 2019



[www.acu-tech.com.au](http://www.acu-tech.com.au)



## CERTIFICATE OF REGISTRATION

This is to certify that:

**The Trustee for The Morren Family Trust**

ABN 52 394 633 042

Trading as

**Acu-Tech Piping Systems**

119 Kelvin Road Maddington WA 6109 AUSTRALIA

operates a

**QUALITY MANAGEMENT SYSTEM**

which complies with the requirements of

**ISO 9001:2015**

for the following scope

The supply of piping systems and components.

Certificate No: QEC29280

Issued: 6 December 2017

Expires: 16 February 2021

Originally Certified: 17 February 2012

Current Certification: 7 December 2017

*N. Grantham*

Nicole Grantham  
General Manager SAI Global Certification Services



ISO 9001

www.sai-global.com/9001/2015



## CERTIFICATE OF CONFORMITY

*ApprovalMark International* hereby grants:

**Ultrplast Pty Ltd as trustee for the BT Family Trust trading as MAXIPLAST**

119 Kelvin Road, Maddington 6109  
Perth, WESTERN AUSTRALIA

**WaterMark Certificate of Conformity – Level 1**

Evaluated to:

**AS/NZS 4130: Polyethylene (PE) pipes for pressure applications**

The WaterMark license shall comply with all the terms and conditions as stipulated by the governance of the operating rules of WaterMark, and shall comply with standard requirements at all times including when standard is amended. The WaterMark license only covers the product which is identified in the product schedule.

This certificate is issued by a JAS-ANZ accredited certification body. The ABCB and JAS-ANZ do not in any way warrant, guarantee or represent that the product the subject of this Certificate conforms to the WaterMark Certification Scheme Rules, nor accepts any liability arising out of the use of the product. The ABCB disclaims to the extent permitted by law, all ability (including negligence) for claims of losses, expenses, damages and costs arising as a result of the use of the product(s) referred to in the certificate.

\* This certificate may only be reproduced in its entirety.

Certificate No. WMKA 22040

Issued: 4<sup>th</sup> May 2018

Expires: 4<sup>th</sup> May 2023

Originally Certified: 13<sup>th</sup> February 2012

Current Certification: 4<sup>th</sup> May 2018

*John Prasad*

**John PRASAD**

Director

ApprovalMark International Pty Ltd  
20/33 Holbeche Road, Arndell Park 2148, Australia  
www.approvalmark.com



ApprovalMark Certification



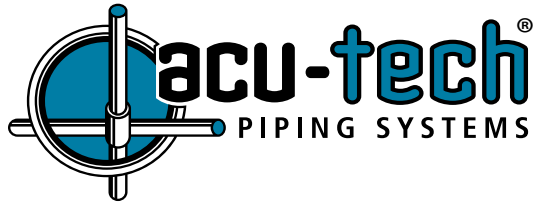
WaterMark

ApprovalMark



# Company Introduction

---



Acu-Tech Piping Systems is a manufacturer and supplier specialising in complete polyethylene (HD-PE) pipe systems and solutions for fluid / gas transfer and cable protection.

Working directly with owners, engineers and contractors, Acu-Tech helps to create pipeline assets which are both durable and cost-effective.


Acu-Tech supplies complete, application specific pipe system packages including valves, fusion welding equipment, training and technical support.

A lot has changed since Acu-Tech was founded in 2000 by Ivan Morren operating from 3 sea containers, and the company continues to innovate and evolve. Now with a team of over 100 at our state-of-the-art 40,000m<sup>2</sup> facilities in Perth and Melbourne, we offer the complete package.

*"What hasn't changed is our positive 'can do' culture and our commitment to building long term relationships."*

## Put Your Trust in Quality & Expertise



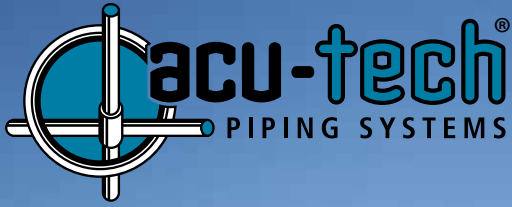


*In every industry and with every service,  
we can be relied upon to deliver the right  
solution at the best value.*

## What makes us different?

---

- We *listen* and work closely with our clients to understand their challenges.
- We help *define* the solution that is right for them using our materials, technology, training and installation methodology.
- We *solve* problems drawing on our breadth of knowledge and experience, and our supply capabilities.
- We can, finally, *deliver* pipeline solutions that are right for the industries we serve.



## What Our Clients Say

*"Your professionalism was instrumental in achieving a positive result for all stakeholders"*

- Project and Resource Logistics,  
Sino Iron Ore Project

*"I would like to thank you and Acu-Tech for the wonderful service you have provided. Personally I will always use Acu-Tech as the first "port of call" for any future poly requirements"*

- Site Supervisor:  
Koolyanobbing Project.

*"The conduct was outstanding. Acu-Tech's flexibility in meeting our needs and the integrity of products and services is worthy of special mention."*

- Site Engineer.  
Esperance Port Access Corridor



# 12 reasons



*Why companies choose Acu-Tech Piping Systems as their HDPE pipeline supply partner*

## TRUST

- Experience - most highly trained and experienced team in the industry with over 100 years of combined experience.
- Responsiveness – the company owner is the CEO and directly involved, so decisions are made quickly in response to your requests. We don't run away if there is a problem.
- Track record - Proven over thousands of projects, with references available.

## CONFIDENCE

- Teamwork – we work with our customers to understand their business, meet their requirements and deliver upon their priorities and objectives.
- Reliability – Acu-Tech will supply on-time, as specified, and with all documentation.
- Capacity – Acu-Tech has what it takes to deliver on major projects.

## QUALITY ASSURANCE

- Quality Management Systems certified to ISO 9001 and ISO/TS 29001.
- Piping products certified to AS/NZS 4130. Only 100% approved AS/NZS 4131 PE100 raw material used (no second hand/ contaminated material).
- **As the manufacturer, we have complete control - raw material to delivery.**

## TECHNICAL EXPERTISE & SUPPORT

- Technical support service for designers / engineers and installers.
- Fusion Weld Training through our own Registered Training Organisation.
- Fully equipped NATA accredited laboratory for destructive joint and material testing. Onsite QA also available.

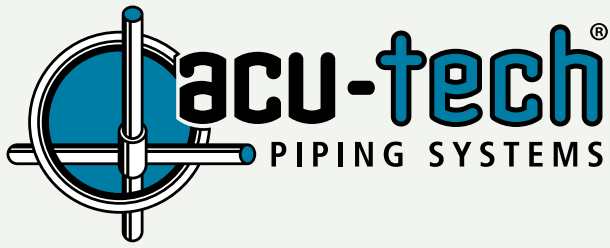
## Trusted by Major Companies



**RioTinto**

**NEWMONT**





## IMPORTANT NOTICE:

Notes on the use of this catalogue:

The "Family" code shown at the top of every page refers to the fitting TYPE.

E.g.: 2014 is the code for an electrofusion coupler. The next four numbers refer to the SIZE; e.g., 0110 is the code for a 110 mm fitting, 1163 for a 110 mm x 63 mm reducer; therefore the code for a 110 mm electrofusion coupler is 2014.0110 and a 110 mm x 63 mm reducer would be 2034.1163.

As always with Acu-Tech technical information, we supply it as a guide in the interest of better understanding of technical properties of our products. It represents the best information available to us at the time of publication. However, the application of such information may involve engineering judgements which cannot be correctly made without intimate knowledge of all the conditions pertaining to a specific installation. Acu-Tech does not act as a consultant in this regard; the responsibility for the use of any information or advice contained herein rests solely with the user. No warranty, expressed or implied, (other than Statutory Warranty) is given as to the information or results obtained by the use thereof, and Acu-Tech will not be held liable for any costs, direct or indirect, that may arise therefrom. All pressure ratings given are subject to applicable regulations and standards. For further information please contact our Technical team or check with your local regulatory authority.

Indemnity: Company policy is one of continual improvement, therefore changes in product dimensions, specifications and performance data may be made without prior notice and without incurring liability. All dimensions shown in this catalogue are intended as a guide only. If exact measurements are required, please contact our sales team.

Please contact our sales team if there is any items required which are not shown in this catalogue. We are also able to source & supply a wide range of associated products such as valves and non-standard flanges.

Call us now on 1300 270 270



# CONTENTS

## 1. ACU-TECH PRESSURE PIPE 10

Dimensions Overview	12-13
Dimensions Detail	14-16
Coil Dimensions	17

## 2. BUTT WELD & FABRICATED ITEMS 18

90° Sweep Bend	20
60° Sweep Bend	21
45° Sweep Bend	22
30° Sweep Bend	23
15° Sweep Bend	24
90° Segmented Bend	25
45° Segmented Bend	26
90° Short Radius Bend	27
Fabricated Reducing Tee	28-29
Fabricated Equal Tee	30
Fabricated True Y Junction	31
Fabricated 45° Junction	32
Short Spigot Eccentric Reducer	33
Short Spigot Concentric Reducer	34-35
Butt Weld End Cap	36
Custom & Specialised Fittings	37

## 3. FLANGES, GASKETS & BOLT SETS 38

Butt Weld Stub Flange	40
Spigot Stub Flange	41
Butterfly Valve Spacer	42
Table D Backing Ring	43
Table E Backing Ring	44
Table ANSI 150 Backing Ring	45
Blind Flange	46
Bolt Set - Table D Steel - PE	47
Bolt Set - Table D PE - PE	48
Bolt Set - Table D Galvanised 8.8	49
Bolt Set - Table E Steel - PE	50
Bolt Set - Table E PE - PE	51
Bolt Set - Table E Galvanised 8.8	52
Bolt Set - ANSI 150 Reduced Thickness Steel - PE	53
Bolt Set - ANSI 150 Reduced Thickness PE - PE	54
Bolt Set: ANSI 150 Reduced Thickness Galvanised 8.8	55
Bolt Set: ANSI 150 Full Thickness Steel - PE	56
Bolt Set: ANSI 150 Full Thickness PE - PE	57
Bolt Set: ANSI 150 Full Thickness Galvanised 8.8	58
Fibre Ring Flange Gasket	59
Steel-Core Rubber Flange Gasket	60-61

## 3. SPIGOT FITTINGS 62

90° Spigot Elbow	64
45° Spigot Elbow	65
30° Spigot Elbow	66
90° Long Spigot Radius Bend	67
Spigot Equal Tee	68
Spigot Reducing Tee	69
45° Spigot Equal Tee	70
Concentric Spigot Reducer	71
Spigot End Cap	72
Spigot Test End Cap	73
Brass Male Threaded Adaptor	74
Brass Female Threaded Adaptor	75
PE Male Threaded Adaptor	76
PE Female Threaded Adaptor	77

## 4. ELECTROFUSION FITTINGS 78

EF Coupler	80
EF Reducer	81
EF 90° Elbow	82
EF 45° Elbow	83
EF Equal Tee	84
EF Reducing Tee	85
EF Tapping Saddle	86
EF Branch Saddle	87
EF End Cap	88
EF Test End Cap With Brass Male Bsp Thread	89

## 5. ADDITIONAL SERVICES 90

Fabrication Services	92-97
Equipment Hire & Sales	98-101
Polyweld Tech Academy	102-103

## 6. USEFUL INFORMATION 104

Truck Pipe & Coil Capacity	106
Bending Radius	107
Unit Conversion	108-111

# ACU-TECH PE PRESSURE PIPE

Acu-Tech's high quality HDPE Pressure Pipe is manufactured from AS/NZS 4131 PE100 raw material and WaterMark Certified to AS/NZS 4130.

Available from 20 mm up to 800 mm in diameter, Acu-Tech PE100 pipe is available in coils and straight lengths with the option of striping or full coating for system specific colour coding. We hold a complete stock of common sizes and SDR ratings. Call us now on 1300 270 270 to discuss your requirements.



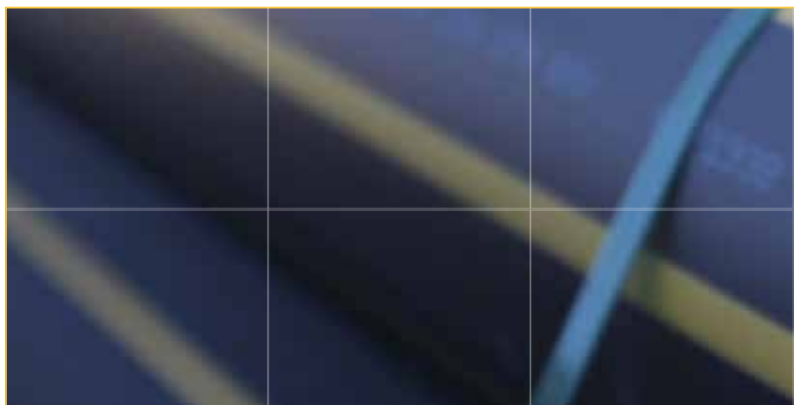
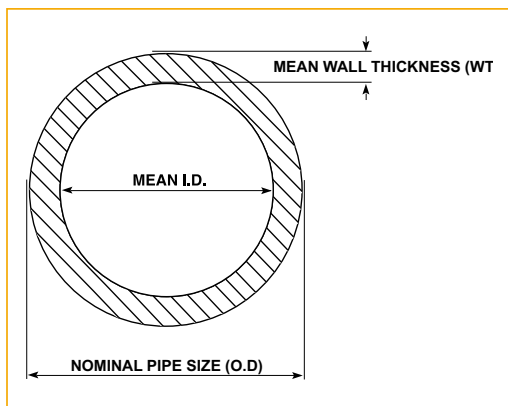
PE100 Polyethylene Pipe Overview	12-13
PE100 Polyethylene Pipe Dimensions Detail	14-16
PE100 Polyethylene Coil Dimensions Overview	17



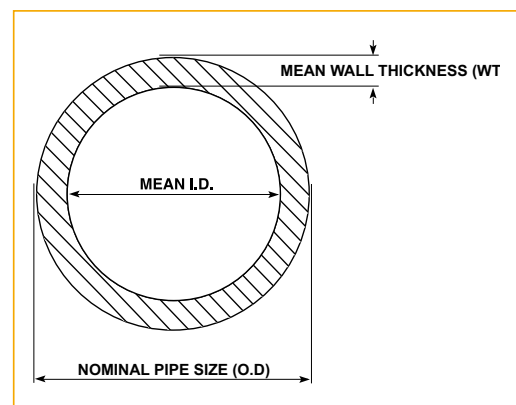
# PE OVERVIEW

OD	SDR41 PN 4			SDR26 PN 6.3			SDR21 PN 8			SDR 17 PN 10		
	WT	ID	KG/M	WT	ID	KG/M	WT	ID	KG/M	WT	ID	KG/M
16	-	-	-	-	-	-	-	-	-	-	-	-
20	-	-	-	-	-	-	-	-	-	-	-	-
25	-	-	-	-	-	-	-	-	-	1.8	21.7	0.1
32	-	-	-	-	-	-	1.8	28.7	0.2	2.1	28.1	0.2
40	-	-	-	-	-	-	2.1	36.1	0.2	2.6	35.0	0.3
50	-	-	-	-	-	-	2.6	45.1	0.4	3.2	43.9	0.4
63	-	-	-	2.6	58.1	0.5	3.2	56.9	0.6	4.1	55.2	0.7
75	-	-	-	3.1	69.2	0.7	3.9	67.7	0.8	4.8	65.8	1.0
90	-	-	-	3.8	83.0	1.0	4.6	81.3	1.2	5.8	79.0	1.5
110	2.9	104.7	0.9	4.6	101.3	1.5	5.7	99.2	1.8	7.0	96.5	2.2
125	3.4	118.9	1.2	5.1	115.4	1.8	6.4	112.9	2.3	7.9	109.9	2.8
140	3.8	133.2	1.5	5.8	129.2	2.3	7.1	126.5	2.9	8.8	123.1	3.5
160	3.6	153.6	1.7	6.6	147.6	3.1	8.2	144.5	3.7	10.1	140.7	4.6
180	4.7	171.5	2.5	7.3	166.3	3.8	9.1	162.7	4.7	11.3	158.3	5.8
200	4.5	192.0	2.6	8.2	184.6	4.7	10.2	180.6	5.8	12.6	175.8	7.1
225	5.0	216.1	3.3	9.1	207.9	5.9	11.4	203.3	7.3	14.2	197.8	9.0
250	6.6	238.0	4.8	10.2	230.9	7.3	12.6	226.1	9.0	15.6	220.0	11.0
280	7.3	266.7	6.0	11.3	258.7	9.2	14.2	253.0	11.4	17.5	246.3	13.9
315	8.2	300.2	-	12.8	290.9	11.7	15.8	284.9	14.3	19.7	277.1	17.5
355	9.2	338.2	-	14.4	327.9	14.7	17.8	321.0	18.1	22.3	312.1	22.3
400	10.4	380.0	-	16.2	369.5	18.7	20.2	361.5	23.1	25.0	351.9	28.2
450	11.6	428.9	15.3	18.2	415.8	23.6	22.7	406.8	29.2	28.1	395.9	35.8
500	13.0	476.3	19.1	20.2	462.0	29.2	25.2	452.0	36.2	31.2	440.0	44.1
560	14.5	533.6	23.8	22.6	517.4	36.6	28.1	506.3	45.1	35.0	492.6	55.3
630	16.3	600.4	30.1	25.4	582.1	46.3	31.6	569.8	56.9	39.3	554.4	69.9
710	18.4	676.5	38.3	28.7	655.9	58.9	35.7	641.9	72.5	44.3	624.6	88.9
800	20.7	762.3	48.5	32.2	739.2	74.6	40.1	723.4	91.9	49.9	703.9	112.8
900	23.2	857.8	61.2	36.2	831.7	94.3	45.1	813.9	116.3	56.3	791.6	143.1
1000	25.8	952.9	75.8	40.2	924.1	116.4	50.2	904.2	143.7	62.4	879.8	176.3
1200	31.0	1143.1	109.1	48.3	1108.5	167.6	60.2	1084.7	206.8	74.8	1055.3	253.9

12



OD	SDR13.6 PN 12.5			SDR11 PN 16			SDR9 PN 20			SDR 7.4 PN 25		
	WT	ID	KG/M	WT	ID	KG/M	WT	ID	KG/M	WT	ID	KG/M
16	-	-	-	1.8	12.7	0.1	2.0	12.3	0.1	2.4	11.4	0.1
20	1.8	16.7	0.1	2.1	16.1	0.1	2.5	15.2	0.1	3.0	14.2	0.2
25	2.1	21.1	0.1	2.5	20.2	0.2	3.0	19.2	0.2	3.8	17.7	0.2
32	2.6	27.0	0.2	3.1	26.0	0.3	3.9	24.5	0.3	4.7	22.8	0.4
40	3.2	33.8	0.4	4.0	32.3	0.4	4.8	30.6	0.5	5.9	28.5	0.6
50	4.0	42.4	0.5	4.9	40.5	0.7	6.0	38.4	0.8	7.3	35.7	0.9
63	5.0	53.3	0.9	6.2	51.0	1.1	7.6	48.2	1.3	9.1	45.1	1.5
75	5.9	63.7	1.2	7.2	61.0	1.5	8.9	57.6	1.8	10.9	53.6	2.1
90	7.0	76.5	1.8	8.7	73.1	2.1	10.7	69.1	2.6	13.0	64.5	3.0
110	8.6	93.3	2.6	10.6	89.4	3.2	13.0	84.5	3.8	16.0	78.6	4.5
125	9.8	106.1	3.4	12.1	101.5	4.1	14.8	96.1	4.9	18.1	89.5	5.8
140	10.9	118.9	4.2	13.4	113.9	5.1	16.6	107.6	6.2	20.3	100.2	7.3
160	12.5	135.9	5.5	15.4	130.0	6.7	18.9	123.1	8.1	23.1	114.7	9.5
180	14.1	152.8	7.0	17.1	146.7	8.4	21.2	138.5	10.2	25.9	129.1	12.0
200	15.5	169.9	8.6	19.2	162.5	10.5	23.5	154.0	12.5	28.8	143.4	14.9
225	17.5	191.1	11.0	21.6	182.9	13.3	26.5	173.2	15.9	32.4	161.3	18.8
250	19.4	212.4	13.5	23.9	203.4	16.3	29.4	192.5	19.5	36.0	179.2	23.2
280	21.7	237.9	16.9	26.8	227.8	20.4	33.0	215.4	24.6	40.3	200.7	29.1
315	24.5	267.6	21.4	30.1	256.3	25.9	37.1	242.4	31.1	45.2	226.1	36.8
355	27.5	301.6	27.2	33.9	288.8	32.8	41.7	273.3	39.4	51.0	254.6	46.8
400	31.0	339.9	34.4	38.2	325.4	41.7	47.0	307.8	50.0	57.4	287.0	59.3
450	34.9	382.4	43.6	43.0	366.1	52.8	52.8	346.5	63.3	64.7	322.8	75.1
500	38.7	424.9	53.8	47.8	406.8	65.1	58.7	385.0	78.1	71.70	358.8	92.6
560	43.4	475.8	67.5	53.4	455.7	81.6	66.1	430.3	98.4	-	-	-
630	48.7	535.5	85.4	60.2	512.6	103.4	73.9	485.1	124.6	-	-	-
710	54.9	603.4	108.5	68.5	576.2	132.6	-	-	-	-	-	-
800	61.8	680.0	137.6	80.1	643.5	166.7	-	-	-	-	-	-
900	0.0	904.1	0.0	86.0	732.2	211.0	-	-	-	-	-	-
1000	0.0	1004.5	0.0	95.1	814.4	260.4	-	-	-	-	-	-
1200	0.0	1205.0	0.0	-	-	-	-	-	-	-	-	-

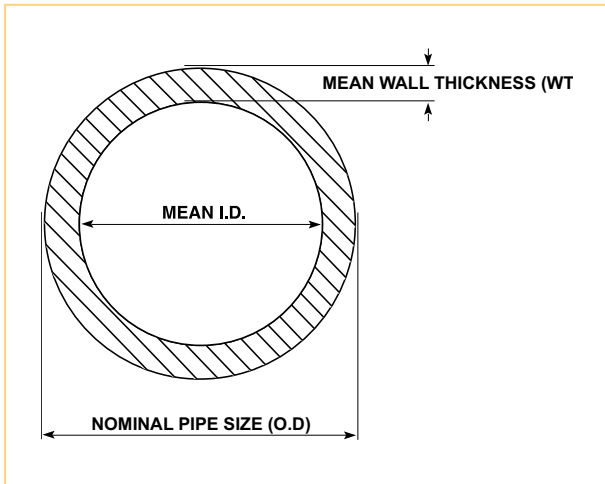


# PIPE DIMENSIONS

STANDARD DIMENSION RATIO				SDR 41				SDR 33				SDR 26			
NOMINAL OUTSIDE DIAMETER (DN)	MEAN OUTSIDE DIAMETER		OOR*	WALL THICKNESS (WT)		MEAN INSIDE DIAMETER (ID)		WALL THICKNESS (WT)		MEAN INSIDE DIAMETER (ID)		WALL THICKNESS (WT)		MEAN INSIDE DIAMETER (ID)	
	MIN	MAX		MIN	MAX	MIN	MAX	MIN	MAX	MIN	MAX	MIN	MAX	MIN	MAX
16	16.0	16.3	1.2	-	-	-	-	-	-	-	-	-	-	-	-
20	20.0	20.3	1.2	-	-	-	-	-	-	-	-	-	-	-	-
25	25.0	25.3	1.2	-	-	-	-	-	-	-	-	-	-	-	-
32	32.0	32.3	1.3	-	-	-	-	-	-	-	-	-	-	-	-
40	40.0	40.4	1.4	-	-	-	-	-	-	-	-	-	-	-	-
50	50.0	50.5	1.4	-	-	-	-	-	-	-	-	1.9	2.2	45.6	46.7
63	63.0	63.6	1.5	-	-	-	-	2.4	2.8	57.4	58.8	2.4	2.8	57.4	58.8
75	75.0	75.7	1.6	-	-	-	-	2.9	3.3	68.4	69.9	2.9	3.3	68.4	69.9
90	90.0	90.9	1.8	-	-	-	-	3.5	4.0	82.0	83.9	3.5	4.0	82.0	83.9
110	110.0	111.0	2.2	2.7	3.1	103.8	105.6	4.3	4.9	100.2	102.4	4.3	4.9	100.2	102.4
125	125.0	126.2	2.5	3.1	3.6	117.8	120.0	4.8	5.4	114.2	116.6	4.8	5.4	114.2	116.6
140	140.0	141.3	2.8	3.5	4.0	132.0	134.3	5.4	6.1	127.8	130.5	5.4	6.1	127.8	130.5
160	160.0	161.5	3.2	4.0	4.5	151.0	153.5	6.2	7.0	146.0	149.1	6.2	7.0	146.0	149.1
180	180.0	181.7	3.6	4.4	5.0	170.0	172.9	6.9	7.7	164.6	167.9	6.9	7.7	164.6	167.9
200	200.0	201.8	4.0	4.9	5.5	189.0	192.0	7.7	8.6	182.8	186.4	7.7	8.6	182.8	186.4
225	225.0	227.1	4.5	5.5	6.2	212.6	216.1	8.6	9.6	205.8	209.9	8.6	9.6	205.8	209.9
250	250.0	252.3	5.0	6.2	7.0	236.0	239.9	9.6	10.7	228.6	233.1	9.6	10.7	228.6	233.1
280	280.0	282.6	9.8	6.9	7.7	264.6	268.8	10.7	11.9	256.2	261.2	10.7	11.9	256.2	261.2
315	315.0	317.9	11.1	7.7	8.6	297.8	302.5	12.1	13.5	288.0	293.7	12.1	13.5	288.0	293.7
355	355.0	358.2	12.5	8.7	9.7	335.6	340.8	13.6	15.1	324.8	331.0	13.6	15.1	324.8	331.0
400	400.0	403.6	14.0	9.8	10.9	378.2	381.8	15.3	17.0	366.0	373.0	15.3	17.0	366.0	373.0
450	450.0	454.1	15.6	11.0	12.2	425.6	432.1	17.2	19.1	411.8	419.7	17.2	19.1	411.8	419.7
500	500.0	504.5	17.5	12.3	13.7	472.6	479.9	19.1	21.2	457.6	466.3	19.1	21.2	457.6	466.3
560	560.0	565.0	19.6	13.7	15.2	529.6	537.7	21.4	23.7	512.6	522.2	21.4	23.7	512.6	522.3
630	630.0	635.7	22.1	15.4	17.1	595.8	604.9	24.1	26.7	576.6	587.5	24.1	26.7	576.6	587.5
710	710.0	716.4	24.9	17.4	19.3	671.4	681.6	27.2	30.1	649.8	662.0	27.2	30.1	649.8	662.0
800	800.0	807.2	28.0	19.6	21.7	756.6	768.0	30.6	33.8	732.4	746.0	30.6	33.8	732.4	746.0
900	900.0	908.1		22.0	24.3	851.4	864.1	34.4	38.0	824.0	839.3	34.4	38.0	824.0	839.3
1000				24.5	27.1	945.8	960.0	38.2	42.2	915.6	932.6	38.2	42.2	915.6	932.6
1200				29.4	32.5	1135.0	1151.2	45.9	50.6	1098.8	1118.2	45.9	50.6	1098.8	1118.2

\*OUT OF ROUNDNESS

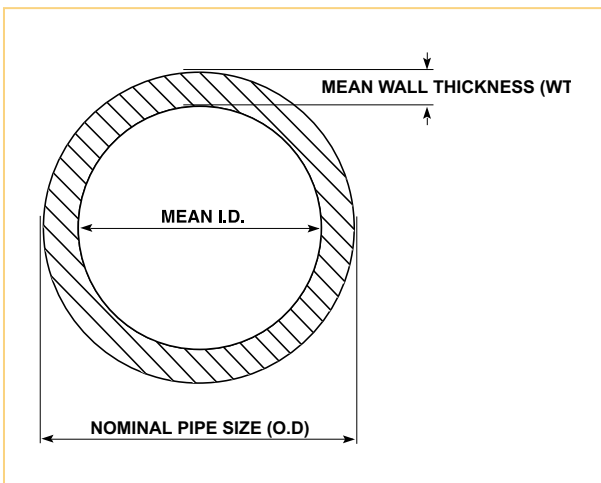
14





STANDARD DIMENSION RATIO				SDR 21				SDR 17				SDR 13.6			
NOMINAL OUTSIDE DIAMETER (DN)	MEAN OUTSIDE DIAMETER		OOR*	WALL THICKNESS (WT)		MEAN INSIDE DIAMETER (ID)		WALL THICKNESS (WT)		MEAN INSIDE DIAMETER (ID)		WALL THICKNESS (WT)		MEAN INSIDE DIAMETER (ID)	
	MIN	MAX		MIN	MAX	MIN	MAX	MIN	MAX	MIN	MAX	MIN	MAX	MIN	MAX
16	16.0	16.3	1.2	-	-	-	-	-	-	-	-	-	-	-	-
20	20.0	20.3	1.2	-	-	-	-	-	-	-	-	1.6	1.9	16.2	17.1
25	25.0	25.3	1.2	-	-	-	-	1.6	1.9	21.2	22.1	1.9	2.2	20.6	21.5
32	32.0	32.3	1.3	1.6	1.9	28.2	29.1	1.9	2.2	27.6	28.5	2.4	2.8	26.4	27.5
40	40.0	40.4	1.4	1.9	2.2	35.6	36.6	2.4	2.8	34.4	35.6	3.0	3.4	33.2	34.4
50	50.0	50.5	1.4	2.4	2.8	44.4	45.7	3.0	3.4	43.2	44.5	3.7	4.2	41.6	43.1
63	63.0	63.6	1.5	3.0	3.4	56.2	57.6	3.8	4.3	54.4	56	4.7	5.3	52.4	54.2
75	75.0	75.7	1.6	3.6	4.1	66.8	68.5	4.5	5.1	64.8	66.7	5.5	6.2	62.6	64.7
90	90.0	90.9	1.8	4.3	4.9	80.2	82.3	5.4	6.1	77.8	80.1	6.6	7.4	75.2	77.7
110	110.0	111.0	2.2	5.3	6.0	98	100.4	6.6	7.4	95.2	97.8	8.1	9.1	91.8	94.8
125	125.0	126.2	2.5	6.0	6.7	111.6	114.2	7.4	8.3	108.4	111.4	9.2	10.3	104.4	107.8
140	140.0	141.3	2.8	6.7	7.5	125	127.9	8.3	9.3	121.4	124.7	10.3	11.5	117.0	120.7
160	160.0	161.5	3.2	7.7	8.6	142.8	146.1	9.5	10.6	138.8	142.5	11.8	13.1	133.8	137.9
180	180.0	181.7	3.6	8.6	9.6	160.8	164.5	10.7	11.9	156.2	160.3	13.3	14.8	150.4	155.1
200	200.0	201.8	4.0	9.6	10.7	178.6	182.6	11.9	13.2	173.6	178	14.7	16.3	167.4	172.4
225	225.0	227.1	4.5	10.8	12.0	201	205.5	13.4	14.9	195.2	200.3	16.6	18.4	188.2	193.9
250	250.0	252.3	5.0	11.9	13.2	223.6	228.5	14.8	16.4	217.2	222.7	18.4	20.4	209.2	215.5
280	280.0	282.6	9.8	13.4	14.9	250.2	255.8	16.6	18.4	243.2	249.4	20.6	22.8	234.4	241.4
315	315.0	317.9	11.1	15.0	16.6	281.8	287.9	18.7	20.7	273.6	280.5	23.2	25.7	263.6	271.5
355	355.0	358.2	12.5	16.9	18.7	317.6	324.4	21.1	23.4	308.2	316	26.1	28.9	297.2	306.0
400	400.0	403.6	14.0	19.1	21.2	357.6	365.4	23.7	26.2	347.6	356.2	29.4	32.5	335.0	344.8
450	450.0	454.1	15.6	21.5	23.8	402.4	411.1	26.7	29.5	391	400.7	33.1	36.6	376.8	387.9
500	500.0	504.5	17.5	23.9	26.4	447.2	456.7	29.6	32.7	434.6	445.3	36.8	40.6	418.8	430.9
560	560.0	565.0	19.6	26.7	29.5	501	511.6	33.2	36.7	486.6	498.6	41.2	45.5	469	482.6
630	630.0	635.7	22.1	30.0	33.1	563.8	575.7	37.3	41.2	547.6	561.1	46.3	51.1	527.8	543.1
710	710.0	716.4	24.9	33.9	37.4	635.2	648.6	42.1	46.5	617	632.2	52.2	57.6	594.8	612.0
800	800.0	807.2	28.0	38.1	42.1	715.8	731	47.4	52.3	695.4	712.4	58.8	64.8	670.4	689.6
900	900.0	908.1		42.9	47.3	805.4	822.3	53.5	59.0	782	801.1	-	-	900.0	908.1
1000				47.7	52.6	894.8	913.6	59.3	65.4	869.2	890.4	-	-	1000.0	1009.0
1200				57.2	63.1	1073.8	1095.6	71.1	78.6	1042.9	1067.8	-	-	1200.0	1210.0

\*OUT OF ROUNDNESS



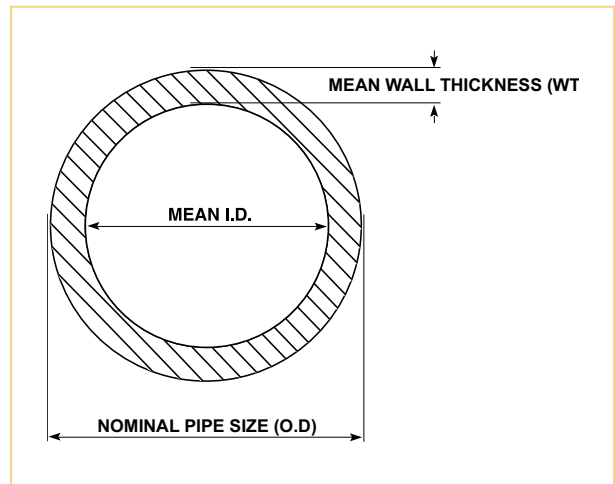
15

# PIPE DIMENSIONS

STANDARD DIMENSION RATIO				SDR 11				SDR 9				SDR 7.4			
NOMINAL OUTSIDE DIAMETER (DN)	MEAN OUTSIDE DIAMETER		OOR*	WALL THICKNESS (WT)		MEAN INSIDE DIAMETER (ID)		WALL THICKNESS (WT)		MEAN INSIDE DIAMETER (ID)		WALL THICKNESS (WT)		MEAN INSIDE DIAMETER (ID)	
	MIN	MAX		MIN	MAX	MIN	MAX	MIN	MAX	MIN	MAX	MIN	MAX	MIN	MAX
16	16.0	16.3	1.2	1.6	1.9	12.2	13.1	1.8	2.1	11.8	12.7	2.2	2.6	10.8	11.9
20	20.0	20.3	1.2	1.9	2.2	15.6	16.5	2.3	2.7	14.6	15.7	2.8	3.2	13.6	14.7
25	25.0	25.3	1.2	2.3	2.7	19.6	20.7	2.8	3.2	18.6	19.7	3.5	4.0	17.0	18.3
32	32.0	32.3	1.3	2.9	3.3	25.4	26.5	3.6	4.1	23.8	25.1	4.4	5.0	22.0	23.5
40	40.0	40.4	1.4	3.7	4.2	31.6	33.0	4.5	5.1	29.8	31.4	5.5	6.2	27.6	29.4
50	50.0	50.5	1.4	4.6	5.2	39.6	41.3	5.6	6.3	37.4	39.3	6.9	7.7	34.6	36.7
63	63.0	63.6	1.5	5.8	6.5	50.0	52.0	7.1	8.0	47.0	49.4	8.6	9.6	43.8	46.4
75	75.0	75.7	1.6	6.8	7.6	59.8	62.1	8.4	9.4	56.2	58.9	10.3	11.5	52.0	55.1
90	90.0	90.9	1.8	8.2	9.2	71.6	74.5	10.1	11.3	67.4	70.7	12.3	13.7	62.6	66.3
110	110.0	111.0	2.2	10.0	11.1	87.8	91.0	12.3	13.7	82.6	86.4	15.1	16.8	76.4	80.8
125	125.0	126.2	2.5	11.4	12.7	99.6	103.4	14.0	15.5	94.0	98.2	17.1	19.0	87.0	92.0
140	140.0	141.3	2.8	12.7	14.1	111.8	115.9	15.7	17.4	105.2	109.9	19.2	21.3	97.4	102.9
160	160.0	161.5	3.2	14.6	16.2	127.6	132.3	17.9	19.8	120.4	125.7	21.9	24.2	111.6	117.7
180	180.0	181.7	3.6	16.0	18.2	143.6	149.7	20.1	22.3	135.4	141.5	24.6	27.2	125.6	132.5
200	200.0	201.8	4.0	18.2	20.2	159.6	165.4	22.4	24.5	151.0	157.0	27.3	30.2	139.6	147.2
225	225.0	227.1	4.5	20.5	22.7	179.6	186.1	25.1	27.8	169.4	176.9	30.8	34.0	157.0	165.5
250	250.0	252.3	5.0	22.7	25.1	199.8	206.9	27.9	30.8	188.4	196.5	34.2	37.8	174.4	183.9
280	280.0	282.6	9.8	25.4	28.1	223.8	231.8	31.3	34.6	210.8	220.0	38.3	42.3	195.4	206.0
315	315.0	317.9	11.1	28.6	31.6	251.8	260.7	35.2	38.9	237.2	247.5	43.0	47.4	220.2	231.9
355	355.0	358.2	12.5	32.2	35.6	283.8	293.8	39.6	43.7	267.6	279.0	48.5	53.5	248.0	261.2
400	400.0	403.6	14.0	36.3	40.1	319.8	331.0	44.7	49.3	301.4	314.2	54.6	60.2	279.6	294.4
450	450.0	454.1	15.6	40.9	45.1	359.8	372.3	50.2	55.4	339.2	353.7	61.5	67.8	314.4	331.1
500	500.0	504.5	17.5	45.4	50.1	399.8	413.7	55.8	61.5	377.0	392.9	68.1	75.3	349.3	368.3
560	560.0	565.0	19.6	50.8	56.0	448.0	463.4	62.8	69.4	421.2	439.4	-	-	-	-
630	630.0	635.7	22.1	57.2	63.1	503.8	521.3	70.3	77.5	475.0	495.1	-	-	-	-
710	710.0	716.4	24.9	65.1	71.9	566.1	586.2	-	-	-	-	-	-	-	-
800	800.0	807.2	28.0	76.0	84.1	631.8	655.2	-	-	-	-	-	-	-	-
900	900.0	908.1		81.8	90.1	719.8	744.5	-	-	-	-	-	-	-	-
1000				90.1	100.0	800.0	828.8	-	-	-	-	-	-	-	-
1200				-	-	-	-	-	-	-	-	-	-	-	-

\*OUT OF ROUNDNESS

16



# PE 100 COILED PIPE

SIZE (mm)	PN RATINGS	COIL LENGTH (m)	COIL ID (mm)	COIL OD (mm)	COIL WIDTH (mm)	COIL CAN BE NESTED INSIDE LARGER COIL OF MIN. SIZE
20	8 - 25	50	630	830	100	DN50
20	8 - 25	100	630	830	200	DN50
20	8 - 25	200	630	890	260	DN63
20	GAS	200	880	1220	150	DN75
25	8 - 25	50	630	830	170	DN50
25	8 - 25	100	630	950	170	DN75
25	8 - 25	200	630	990	300	DN75
32	8 - 25	50	880	1120	165	DN75
32	8 - 25	70	880	1180	165	DN75
32	8 - 25	100	880	1180	230	DN75
32	8 - 25	200	880	1280	300	DN75
40	8 - 25	50	880	1110	290	DN75
40	8 - 25	100	880	1250	290	DN75
40	8 - 25	150	880	1380	290	DN75
50	8 - 25	50	1030	1320	260	DN75
50	8 - 25	100	1030	1570	260	DN90
50	8 - 25	150	1030	1730	260	DN90
50	8 - 25	200	1030	1820	290	DN125 100m Coils
63	12.5 - 25	100	1030	1700	300	DN90
63	12.5 - 25	140	1030	1700	400	DN90
63	12.5 - 25	200	1030	1900	400	DN125 100m Coils
63	10	100	1250	1900	270	DN125 100m Coils
63	10	140	1250	1900	370	DN125 100m Coils
63	10	200	1250	2020	400	DN125 PN12.5 100m Coils
75	8 - 25	100	1550	2080	400	DN125 PN12.5 100m Coils
90	8 - 25	100	2000	2640	380	-
110	GAS	50	2000	2590	350	-
110	10 - 25	100	2000	2760	470	-
110	10 - 25	200	2000	3150	580	-
110	8	100	2300	3100	470	-
125	12.5 - 25	100	2000	2870	530	-
125	10	100	2300	3160	470	-
140	12.5 - 25	100	2300	3300	510	-
160	12.5 - 25	80	2500	3350	590	-
160	12.5 - 25	100	2300	3410	590	-
180	12.5 - 25	45	2600	3270	580	-

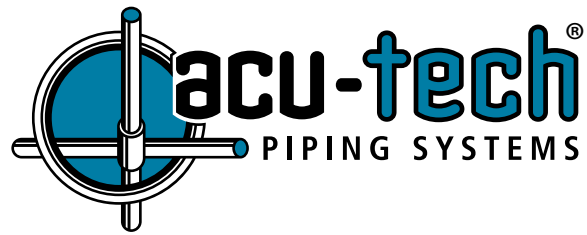
## ACU-TECH PIPE SYSTEM BRANDS





# BUTT WELD AND FABRICATED FITTINGS

Our extensive range of fabricated fittings includes sweep bends, junctions, true Y pieces, equal and reducing tees, and segmented bends ranging in size from 25 mm - 800 mm. For more detailed information on fabricated items such as spools, manifolds, tanks and flanged pipe turn to page 88. Call us now for more information on 1300 270 270.



90° Sweep Bend_____	20	Fabricated Reducing Tee_____	28-29
60° Sweep Bend_____	21	Fabricated Equal Tee_____	30
45° Sweep Bend_____	22	Fabricated True Y Junction_____	31
30° Sweep Bend_____	23	Fabricated 45° Junction_____	32
15° Sweep Bend_____	24	Short Spigot Eccentric Reducer_____	33
90° Segmented Bend_____	25	Short Spigot Concentric Reducer_____	34-35
45° Segmented Bend_____	26	Butt Weld End Cap_____	36
90° Short Radius Bend_____	27	Custom & Specialised Fittings_____	37

# 90° SWEEP BEND (6754 / 6756)

PE100 • SDR11 • SDR17

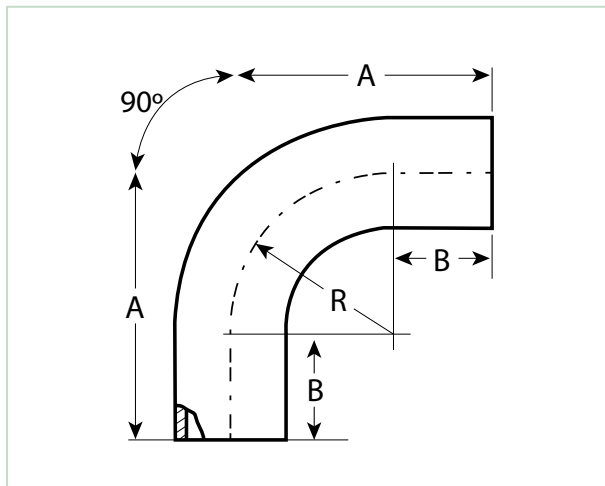
SIZE (mm)	CODE SDR11 (6754)	CODE SDR17 (6756)	A (mm)	B (mm)	R (mm)
20	6754.0020	6756.0020	200	100	100
25	6754.0025	6756.0025	200	100	100
32	6754.0032	6756.0032	228	100	128
40	6754.0040	6756.0040	260	100	160
50	6754.0050	6756.0050	275	100	175
63	6754.0063	6756.0063	325	100	225
75	6754.0075	6756.0075	455	150	305
90	6754.0090	6756.0090	455	150	305
110	6754.0110	6756.0110	560	180	380
125	6754.0125	6756.0125	560	180	380
140	6754.0140	6756.0140	660	200	460
160	6754.0160	6756.0160	660	200	460
200	6754.0200	6756.0200	785	250	535
225	6754.0225	6756.0225	785	250	535
250	6754.0250	6756.0250	915	300	615
280	6754.0280	6756.0280	965	350	615
315	6754.0315	6756.0315	1115	400	715
355	6754.0355	6756.0355	1280	500	780
400	6754.0400	6756.0400	1620	550	1070
450	6754.0450	6756.0450	1650	550	1100
500	6754.0500	6756.0500	1950	700	1250
560	6754.0560	6756.0560	1982	700	1250
630	6754.0630	6756.0630	2015	700	1282

Note 1: Other degree bends up to 800 mm diameter made to order

Note 2: This fitting is suitable for butt weld only and will need to be extended for electrofusion

Note 3: Angle tolerance (+), (-) 5°

20



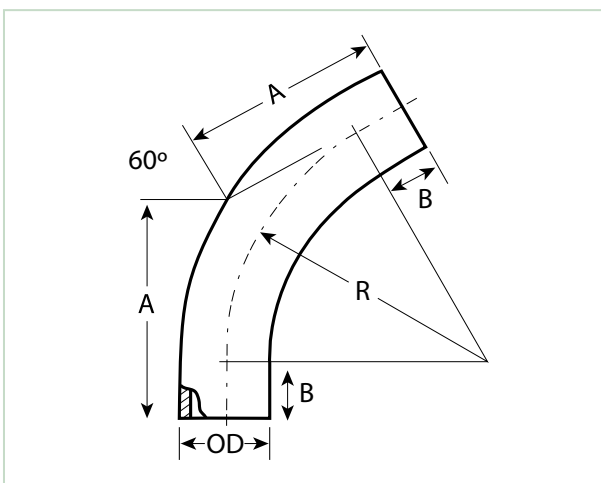


SIZE (mm)	CODE SDR11 (6764)	CODE SDR17 (6766)	A (mm)	B (mm)	R (mm)
20	6764.0020	6766.0020	155	100	100
25	6764.0025	6766.0025	155	100	100
32	6764.0032	6766.0032	170	100	128
40	6764.0040	6766.0040	190	100	160
50	6764.0050	6766.0050	200	100	175
63	6764.0063	6766.0063	230	100	225
75	6764.0075	6766.0075	320	150	305
90	6764.0090	6766.0090	320	150	305
110	6764.0110	6766.0110	400	180	380
125	6764.0125	6766.0125	400	180	380
140	6764.0140	6766.0140	465	200	460
160	6764.0160	6766.0160	465	200	460
200	6764.0200	6766.0200	560	250	535
225	6764.0225	6766.0225	560	250	535
250	6764.0250	6766.0250	655	300	615
280	6764.0280	6766.0280	705	350	615
315	6764.0315	6766.0315	810	400	715
355	6764.0355	6766.0355	950	500	780
400	6764.0400	6766.0400	1160	550	1070
450	6764.0450	6766.0450	1185	550	1100
500	6764.0500	6766.0500	1420	700	1250
560	6764.0560	6766.0560	1440	700	1282
630	6764.0630	6766.0630	1460	700	1315

Note 1: Other degree bends up to 800 mm made to order

Note 2: This fitting is suitable for butt weld only and will need to be extended for electrofusion

Note 3: Angle tolerance (+), (-) 5°



21

# 45° SWEEP BEND (6774 / 6776)

PE100 • SDR11 • SDR17

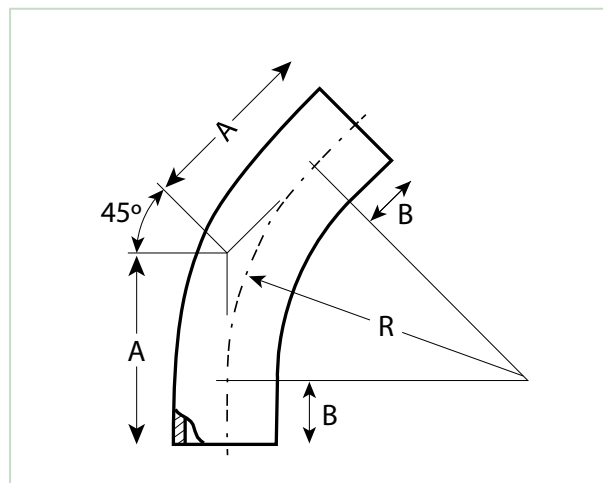
SIZE (mm)	CODE SDR11 (6774)	CODE SDR17 (6776)	A (mm)	B (mm)	R (mm)
20	6774.0020	6776.0020	140	100	100
25	6774.0025	6776.0025	140	100	100
32	6774.0032	6776.0032	150	100	128
40	6774.0040	6776.0040	165	100	160
50	6774.0050	6776.0050	170	100	175
63	6774.0063	6776.0063	190	100	225
75	6774.0075	6776.0075	270	150	305
90	6774.0090	6776.0090	270	150	305
110	6774.0110	6776.0110	340	180	380
125	6774.0125	6776.0125	340	180	380
140	6774.0140	6776.0140	390	200	460
160	6774.0160	6776.0160	390	200	460
200	6774.0200	6776.0200	470	250	535
225	6774.0225	6776.0225	470	250	535
250	6774.0250	6776.0250	550	300	615
280	6774.0280	6776.0280	605	350	615
315	6774.0315	6776.0315	695	400	715
355	6774.0355	6776.0355	820	500	780
400	6774.0400	6776.0400	990	550	1070
450	6774.0450	6776.0450	1005	550	1100
500	6774.0500	6776.0500	1215	700	1250
560	6774.0560	6776.0560	1230	700	1282
630	6774.0630	6776.0630	1245	700	1315

Note 1: Other degree bends made to order

Note 2: This fitting is suitable for butt weld only and will need to be extended for electrofusion

Note 3: Angle tolerance (+), (-) 5°

22

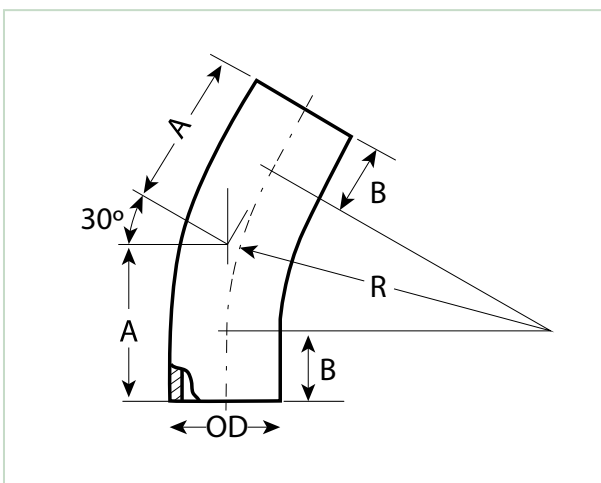


SIZE (mm)	CODE SDR11 (6784)	CODE SDR17 (6786)	A (mm)	B (mm)	R (mm)
20	6784.0020	6786.0020	130	100	100
25	6784.0025	6786.0025	130	100	100
32	6784.0032	6786.0032	134	100	128
40	6784.0040	6786.0040	140	100	160
50	6784.0050	6786.0050	146	100	175
63	6784.0063	6786.0063	160	100	225
75	6784.0075	6786.0075	230	150	305
90	6784.0090	6786.0090	230	150	305
110	6784.0110	6786.0110	280	180	380
125	6784.0125	6786.0125	280	180	380
140	6784.0140	6786.0140	320	200	460
160	6784.0160	6786.0160	320	200	460
200	6784.0200	6786.0200	320	250	535
225	6784.0225	6786.0225	400	250	535
250	6784.0250	6786.0250	460	300	615
280	6784.0280	6786.0280	510	350	615
315	6784.0315	6786.0315	605	400	715
355	6784.0355	6786.0355	710	500	780
400	6784.0400	6786.0400	830	550	1070
450	6784.0450	6786.0450	840	550	1100
500	6784.0500	6786.0550	1030	700	1250
560	6784.0560	6786.0560	1040	700	1282
630	6784.0630	6786.0630	1050	700	1315

Note 1: Other degree bends made to order

Note 2: This fitting is suitable for butt weld only and will need to be extended for electrofusion

Note 3: Angle tolerance (+), (-) 5°



# 15° SWEEP BEND (6774 / 6776)

PE100 • SDR11 • SDR17

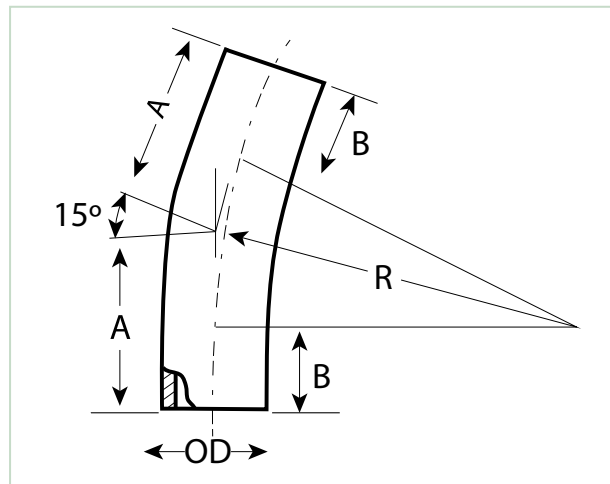
SIZE (mm)	CODE SDR11 (6774)	CODE SDR17 (6776)	A (mm)	B (mm)	R (mm)
20	6774.0020	6776.0020	130	100	100
25	6774.0025	6776.0025	130	100	100
32	6774.0032	6776.0032	134	100	128
40	6774.0040	6776.0040	140	100	160
50	6774.0050	6776.0050	146	100	175
63	6774.0063	6776.0063	160	100	225
75	6774.0075	6776.0075	230	150	305
90	6774.0090	6776.0090	230	150	305
110	6774.0110	6776.0110	280	180	380
125	6774.0125	6776.0125	280	180	380
140	6774.0140	6776.0140	320	200	460
160	6774.0160	6776.0160	320	200	460
200	6774.0200	6776.0200	320	250	535
225	6774.0225	6776.0225	400	250	535
250	6774.0250	6776.0250	460	300	615
280	6774.0280	6776.0280	510	350	615
315	6774.0315	6776.0315	605	400	715
355	6774.0355	6776.0355	710	500	780
400	6774.0400	6776.0400	830	550	1070
450	6774.0450	6776.0450	840	550	1100
500	6774.0500	6776.0550	1030	700	1250
560	6774.0560	6776.0560	1040	700	1282
630	6774.0630	6776.0630	1050	700	1315

Note 1: Other degree bends made to order

Note 2: This fitting is suitable for butt weld only and will need to be extended for electrofusion

Note 3: Angle tolerance (+), (-) 5°

24





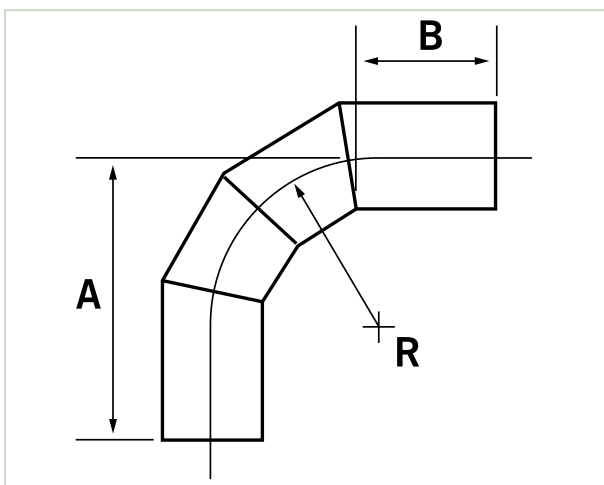
# 90° SEGMENTED BEND (6824 / 6826)

PE100 • SDR11 • SDR17

SIZE (mm)	CODE SDR11 (6824)	CODE SDR17 (6826)	A (mm)	B (mm)	R (mm)
90	6824.0090	6826.0090	235	100	135
110	6824.0110	6826.0110	265	100	165
125	6824.0125	6826.0125	338	150	188
140	6824.0140	6826.0140	360	150	210
160	6824.0160	6826.0160	390	150	240
200	6824.0200	6826.0200	450	150	300
225	6824.0225	6826.0225	488	150	338
250	6824.0250	6826.0250	625	250	375
280	6824.0280	6826.0280	670	250	420
315	6824.0315	6826.0315	777	300	477
355	6824.0355	6826.0355	833	300	533
400	6824.0400	6826.0400	900	300	600
450	6824.0450	6826.0450	975	300	675
500	6824.0500	6826.0500	1100	350	750
560	6824.0560	6826.0560	1190	350	840
630	6824.0630	6826.0630	1295	350	945

Note 1: Other degree bends made to order

Note 2: Pressure re-rating applies. Contact Acu-Tech for more information



25



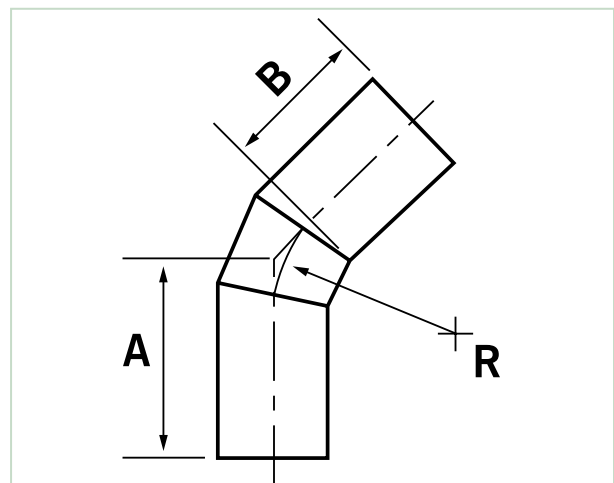
# 45° SEGMENTED BEND (6844 / 6846)

PE100 • SDR11 • SDR17

SIZE (mm)	CODE SDR11 (6844)	CODE SDR17 (6846)	A (mm)	B (mm)	R (mm)
90	6844.0090	6846.0090	156	100	135
110	6844.0110	6846.0110	168	100	165
125	6844.0125	6846.0125	227	150	188
140	6844.0140	6846.0140	237	150	210
160	6844.0160	6846.0160	249	150	240
200	6844.0200	6846.0200	274	150	300
225	6844.0225	6846.0225	290	150	338
250	6844.0250	6846.0250	412	250	375
280	6844.0280	6846.0280	474	250	420
315	6844.0315	6846.0315	498	300	477
355	6844.0355	6846.0355	520	300	533
400	6844.0400	6846.0400	548	300	600
450	6844.0450	6846.0450	580	300	675
500	6844.0500	6846.0500	665	350	750
560	6844.0560	6846.0560	698	350	840
630	6844.0630	6846.0630	741	350	945

Note 1: Other degree bends made to order

Note 2: Pressure re-rating applies. Contact Acu-Tech for more information



26

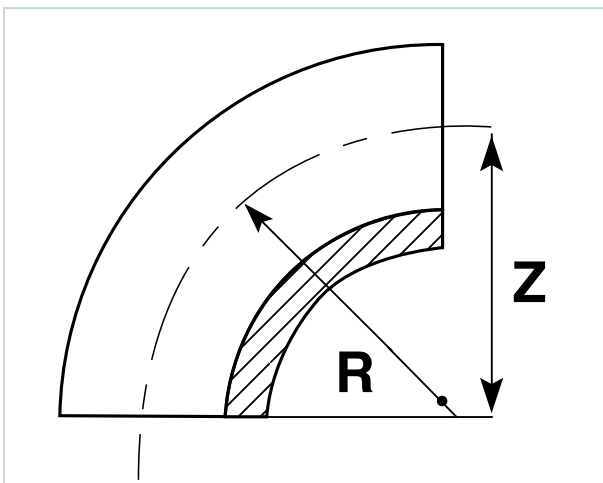


# SHORT RADIUS 90° BEND (4054 / 4056)

PE100 • SDR11 • SDR17

SIZE (mm)	CODE SDR11 (4054)	CODE SDR17 (4056)	Z (mm)	R (mm)
63	4054.0063	4056.0063	66	63
75	4054.0075	4056.0075	78	75
90	4054.0090	4056.0090	93	90
110	4054.0110	4056.0110	115	110
125	4054.0125	4056.0125	130	125
140	4054.0140	4056.0140	145	140
160	4054.0160	4056.0160	167	160
180	4054.0180	4056.0180	200	180
200	4054.0200	4056.0200	207	200
225	4054.0225	4056.0225	232	225
250	4054.0250	4056.0250	257	285
280	4054.0280	4056.0280	287	287
315	4054.0315	4056.0315	322	322
355	4054.0355	4056.0355	380	380
400	4054.0400	4056.0400	425	425
450	4054.0450	4056.0450	450	450
500	4054.0500	4056.0500	450	450

Note: For butt weld only. Can be extended for electrofusion



# FABRICATED REDUCING TEE (6164 / 6166)

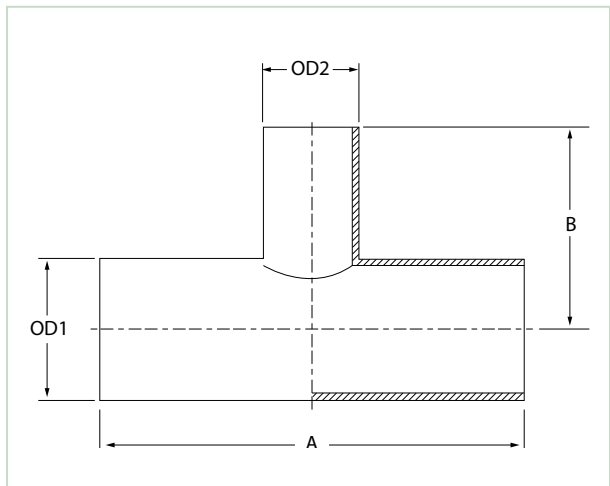
PE100 • SDR11 • SDR17

CODE SDR11 (6164)	CODE SDR17 (6166)	OD 1 (mm)	OD 2 (mm)	A (mm)	B (mm)
6164.2090	6166.2090	200	90	600	550
6164.2011	6166.2011	200	110	600	550
6164.2290	6166.2290	225	90	600	550
6164.2211	6166.2211	225	110	600	550
6164.2590	6166.2590	250	90	600	650
6164.2511	6166.2511	250	110	600	650
6164.2516	6166.2516	250	160	600	650
6164.2890	6166.2890	280	90	600	650
6164.2811	6166.2811	280	110	600	650
6164.2816	6166.2816	280	160	600	650
6164.2820	6166.2820	280	200	600	650
6164.3190	6166.3190	315	90	600	700
6164.3111	6166.3111	315	110	600	700
6164.3116	6166.3116	315	160	650	700
6164.3120	6166.3120	315	200	650	700
6164.3590	6166.3590	355	90	650	700
6164.3511	6166.3511	355	110	650	700
6164.3516	6166.3516	355	160	650	700
6164.3520	6166.3520	355	200	700	700
6164.3522	6166.3522	355	225	700	700
6164.3525	6166.3525	355	250	700	700
6164.4090	6166.4090	400	90	800	750
6164.4011	6166.4011	400	110	800	750
6164.4016	6166.4016	400	160	800	750
6164.4020	6166.4020	400	200	900	750
6164.4022	6166.4022	400	225	900	750
6164.4025	6166.4025	400	250	900	750
6164.4028	6166.4028	400	280	900	750
6164.4590	6166.4590	450	90	900	750

Note 1: Pressure re-rating applies. Contact Acu-Tech for more information

Note 2: Standard fitting suitable for butt weld only. Can be modified to suit electrofusion if required, please contact us for more info.

28





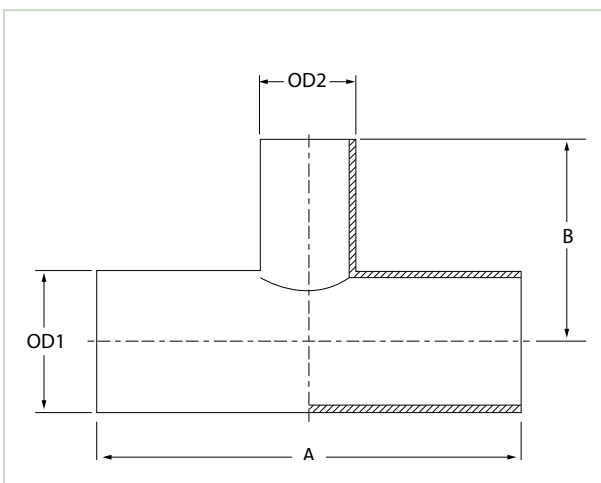
# FABRICATED REDUCING TEE (6164 / 6166) Cont'd

PE100 • SDR11 • SDR17

CODE SDR11 (6164)	CODE SDR17 (6166)	OD 1 (mm)	OD 2 (mm)	A (mm)	B (mm)
6164.4511	6166.4511	450	110	900	750
6164.4516	6166.4516	450	160	900	750
6164.4520	6166.4520	450	200	1000	750
6164.4522	6166.4522	450	225	1000	750
6164.4525	6166.4525	450	250	1000	800
6164.4528	6166.4528	450	280	1000	800
6164.4531	6166.4531	450	315	1000	800
6164.5016	6166.5016	500	160	1000	800
6164.5020	6166.5020	500	200	1000	800
6164.5022	6166.5022	500	225	1000	800
6164.5025	6166.5025	500	250	1000	900
6164.5028	6166.5028	500	280	1000	900
6164.5031	6166.5031	500	315	1000	900
6164.5035	6166.5035	500	355	1000	900
6164.5620	6166.5620	560	200	1000	900
6164.5622	6166.5622	560	225	1000	900
6164.5625	6166.5625	560	250	1000	900
6164.5628	6166.5628	560	280	1000	1200
6164.5631	6166.5631	560	315	1000	1200
6164.5635	6166.5635	560	355	1000	1200
6164.6320	6166.6320	630	200	1000	1200
6164.6322	6166.6322	630	225	1000	1200
6164.6325	6166.6325	630	250	1000	1200
6164.6328	6166.6328	630	280	1000	1200
6164.6331	6166.6331	630	315	1100	1200
6164.6335	6166.6335	630	355	1100	1200
6164.6340	6166.6340	630	400	1200	1200
6164.6345	6166.6345	630	450	1200	1200

Note 1: Pressure re-rating applies. Contact Acu-Tech for more information

Note 2: Standard fitting suitable for butt weld only. Can be modified to suit electrofusion if required, please contact us for more info.



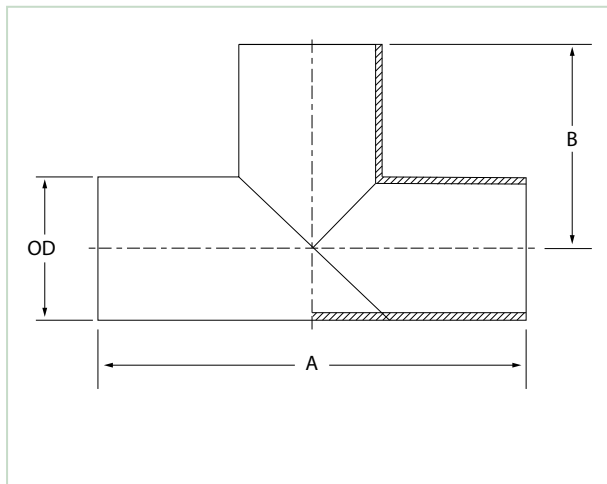
# FABRICATED EQUAL TEE (6154 / 6156)

PE100 • SDR11 • SDR17

CODE SDR11 (6154)	CODE SDR17 (6156)	OD (mm)	A (mm)	B (mm)
6154.0090	6156.0090	90	400	200
6154.0110	6156.0110	110	500	250
6154.0125	6156.0125	125	500	250
6154.0140	6156.0140	140	500	500
6154.0160	6156.0160	160	600	500
6154.0200	6156.0200	200	650	500
6154.0225	6156.0225	225	650	550
6154.0250	6156.0250	250	700	650
6154.0280	6156.0280	280	700	650
6154.0315	6156.0315	315	800	700
6154.0355	6156.0355	355	800	700
6154.0400	6156.0400	400	1000	1100
6154.0450	6156.0450	450	1100	1100
6154.0500	6156.0500	500	1200	1200
6154.0560	6156.0560	560	1200	1200
6154.0630	6156.0630	630	1200	1200
6154.0710	6156.0710	710	1500	1700
6154.0800	6156.0800	800	1600	1700
6154.1000	6156.1000	1000	1800	1700

Note: Pressure re-rating applies. Contact Acu-Tech for more information

30

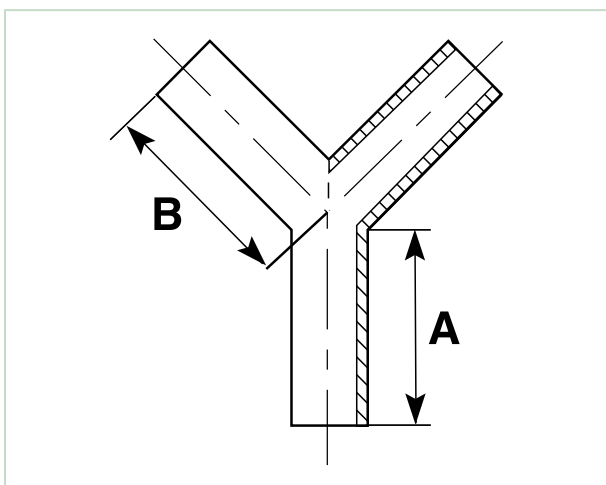


# FABRICATED TRUE Y JUNCTION (6704 / 6706)

PE100 • SDR11 • SDR17

SIZE (mm)	CODE SDR11 (6704)	CODE SDR17 (6706)	A (mm)	B (mm)
90	6704.0090	6706.0090	200	450
110	6704.0110	6706.0110	250	450
125	6704.0125	6706.0125	250	450
140	6704.0140	6706.0140	500	600
160	6704.0160	6706.0160	500	600
180	6704.0180	6706.0180	500	750
200	6704.0200	6706.0200	500	750
225	6704.0225	6706.0225	550	750
250	6704.0250	6706.0250	650	900
280	6704.0280	6706.0280	650	900
315	6704.0315	6706.0315	700	1050
355	6704.0355	6706.0355	700	1180
400	6704.0400	6706.0400	1100	1250
450	6704.0450	6706.0450	1100	1300
500	6704.0500	6706.0500	1200	1400
560	6704.0560	6706.0560	1200	1400
630	6704.0630	6706.0630	1200	1440

Note: Pressure re-rating applies. Contact Acu-Tech for more information



# FABRICATED 45° JUNCTION (6694 / 6696)

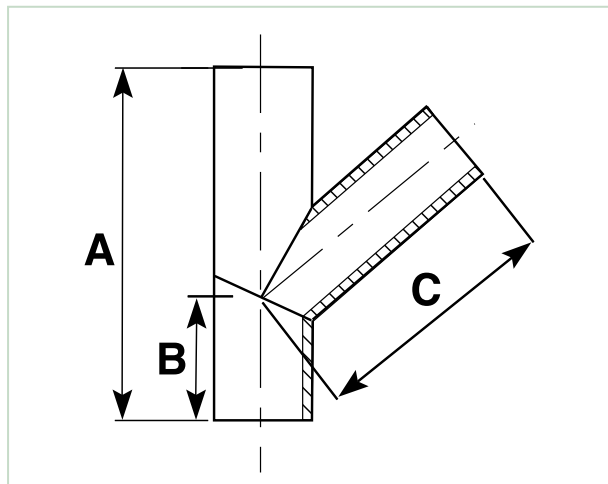
PE100 • SDR11 • SDR17

SIZE (mm)	CODE SDR11 (6694)	CODE SDR17 (6696)	A (mm)	B (mm)	C (mm)
90	6694.0090	6696.0090	700	270	430
110	6694.0110	6696.0110	700	270	430
125	6694.0125	6696.0125	750	300	450
140	6694.0140	6696.0140	780	300	480
160	6694.0160	6696.0160	850	330	520
180	6694.0180	6696.0180	950	360	590
200	6694.0200	6696.0200	960	370	590
225	6694.0225	6696.0225	1080	420	660
250	6694.0250	6696.0250	1150	450	710
280	6694.0280	6696.0280	1250	500	750
315	6694.0315	6696.0315	1350	530	820
355	6694.0355	6696.0355	1450	570	880
400	6694.0400	6696.0400	1550	600	950
450	6694.0450	6696.0450	1850	650	1200
500	6694.0500	6696.0500	2100	700	1400
560	6694.0560	6696.0560	2200	800	1400
630	6694.0630	6696.0630	2300	800	1500

Note 1: Pressure re-rating applies. Contact Acu-Tech for more information

Note 2: Fully pressure rated injection moulded junctions available on request

32



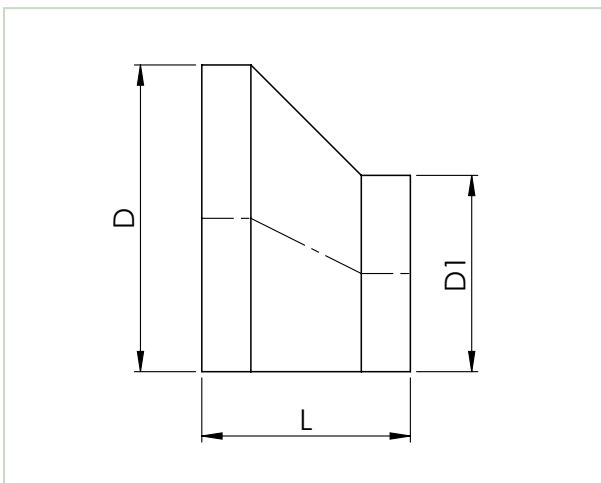


# SHORT SPIGOT ECCENTRIC REDUCER (4044 / 4046)

PE100 • SDR11 • SDR17

CODE SDR11 (4044)	CODE SDR17 (4046)	D - D1 (mm)	L (mm)	BOX
4044.1690	4046.1690	160-90	140	1
4044.1611	4046.1611	160-110	120	1
4044.1612	4046.1612	160-125	110	1
4044.1614	4046.1614	160-140	100	1
4044.1811	4046.1811	180-110	140	1
4044.1812	4046.1812	180-125	130	1
4044.1814	4046.1814	180-140	120	1
4044.1816	4046.1816	180-160	100	1
4044.2012	4046.2012	200-125	150	1
4044.2014	4046.2014	200-140	130	1
4044.2016	4046.2016	200-160	120	1
4044.2018	4046.2018	200-180	100	1
4044.2214	4046.2214	225-140	160	1
4044.2216	4046.2216	225-160	140	1
4044.2218	4046.2218	225-180	120	1
4044.2220	4046.2220	225-200	110	1
4044.2516	4046.2516	250-160	170	1
4044.2518	4046.2518	250-180	150	1
4044.2520	4046.2520	250-200	130	1
4044.2522	4046.2522	250-225	110	1
4044.2818	4046.2818	280-180	180	1
4044.2820	4046.2820	280-200	160	1
4044.2822	4046.2822	280-225	140	1
4044.2825	4046.2825	280-250	120	1
4044.3120	4046.3120	315-200	190	1
4044.3122	4046.3122	315-225	170	1
4044.3125	4046.3125	315-250	150	1
4044.3128	4046.3128	315-280	130	1

CODE SDR11 (4044)	CODE SDR17 (4046)	D - D1 (mm)	L (mm)	BOX
4044.3522	4046.3522	355-225	210	1
4044.3525	4046.3525	355-250	190	1
4044.3528	4046.3528	355-280	150	1
4044.3531	4046.3531	355-315	130	1
4044.4025	4046.4025	400-250	230	1
4044.4028	4046.4028	400-280	200	1
4044.4031	4046.4031	400-315	170	1
4044.4035	4046.4035	400-355	140	1
4044.4528	4046.4528	450-280	250	1
4044.4531	4046.4531	450-315	220	1
4044.4535	4046.4535	450-355	190	1
4044.4540	4046.4540	450-400	150	1
4044.5028	4046.5028	500-280	290	1
4044.5031	4046.5031	500-315	260	1
4044.5035	4046.5035	500-355	230	1
4044.5040	4046.5040	500-400	200	1
4044.5045	4046.5045	500-450	160	1
4044.5640	4046.5640	560-400	250	1
4044.5645	4046.5645	560-450	210	1
4044.5650	4046.5650	560-500	170	1
4044.6345	4046.6345	630-450	270	1
4044.6350	4046.6350	630-500	230	1
4044.6356	4046.6356	630-560	180	1
-	4046.7156	710-560	240	1
-	4046.7163	710-630	180	1
-	4046.8063	800-630	270	1
-	4046.8071	800-710	190	1
-	4046.9071	900-710	280	1
-	4046.9080	900-800	210	1



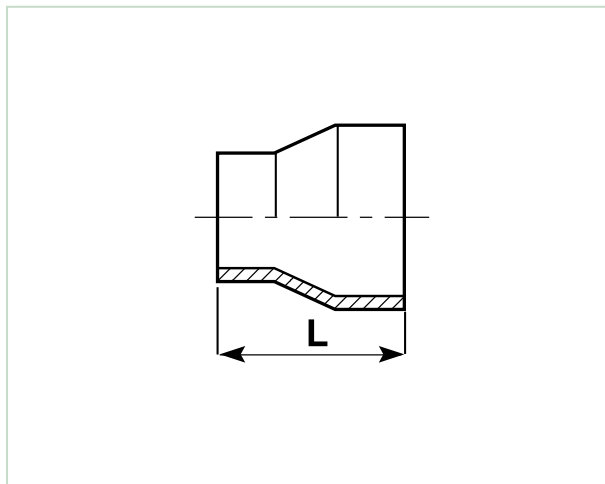
# SHORT SPIGOT CONCENTRIC REDUCER (4034 / 4036)

PE100 • SDR11 • SDR17

SIZE (mm)	CODE SDR11 (4034)	CODE SDR17 (4036)	L (mm)
63 x 50	4034.6350	4036.6350	60
75 x 50	4034.7550	4036.7550	70
75 x 63	4034.7563	4036.7563	85
90 x 50	4034.9050	4036.9050	75
90 x 63	4034.9063	4036.9063	75
90 x 75	4034.9075	4036.9075	75
110 x 50	4034.1150	4036.1150	90
110 x 63	4034.1163	4036.1163	105
110 x 75	4034.1175	4036.1175	95
110 x 90	4034.1190	4036.1190	100
125 x 63	4034.1263	4036.1263	120
125 x 75	4034.1275	4036.1275	100
125 x 90	4034.1290	4036.1290	110
125 x 110	4034.1211	4036.1211	102
140 x 63	4034.1463	4036.1463	110
140 x 75	4034.1475	4036.1475	110
140 x 90	4034.1490	4036.1490	110
140 x 110	4034.1411	4036.1411	110
140 x 125	4034.1412	4036.1412	110
160 x 63	4034.1663	4036.1663	120
160 x 75	4034.1675	4036.1675	120
160 x 90	4034.1690	4036.1690	140
160 x 110	4034.1611	4036.1611	128
160 x 125	4034.1612	4036.1612	122
160 x 140	4034.1614	4036.1614	120
180 x 63	4034.1863	4036.1863	120
180 x 75	4034.1875	4036.1875	120

SIZE (mm)	CODE SDR11 (4034)	CODE SDR17 (4036)	L (mm)
180 x 90	4034.1890	4036.1890	143
180 x 110	4034.1811	4036.1811	130
180 x 125	4034.1812	4036.1812	143
180 x 160	4034.1816	4036.1816	130
200 x 63	4034.2063	4036.2063	120
200 x 75	4034.2075	4036.2075	120
200 x 90	4034.2090	4036.2090	120
200 x 110	4034.2011	4036.2011	120
200 x 125	4034.2012	4036.2012	120
200 x 160	4034.2016	4036.2016	120
200 x 140	4034.2014	4036.2014	120
200 x 180	4034.2018	4036.2018	120
225 x 90	4034.2290	4036.2290	120
225 x 110	4034.2211	4036.2211	120
225 x 125	4034.2212	4036.2212	120
225 x 140	4034.2214	4036.2214	115
225 x 160	4034.2216	4036.2216	115
225 x 180	4034.2218	4036.2218	115
225 x 200	4034.2220	4036.2220	115
250 x 90	4034.2590	4036.2590	120
250 x 110	4034.2511	4036.2511	120
250 x 125	4034.2512	4036.2512	120
250 x 140	4034.2514	4036.2514	115
250 x 160	4034.2516	4036.2516	115
250 x 180	4034.2518	4036.2518	115
250 x 200	4034.2520	4036.2520	115
250 x 225	4034.2522	4036.2522	115

34

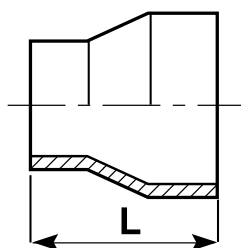


# (4034 / 4036) SHORT SPIGOT CONCENTRIC REDUCER Cont'd

PE100 • SDR11 • SDR17

SIZE (mm)	CODE SDR11 (4034)	CODE SDR17 (4036)	L (mm)
280 x 90	4034.2890	4036.2890	120
280 x 110	4034.2811	4036.2811	120
280 x 125	4034.2812	4036.2812	120
280 x 140	4034.2814	4036.2814	115
280 x 160	4034.2816	4036.2816	115
280 x 180	4034.2818	4036.2818	115
280 x 200	4034.2820	4036.2820	115
280 x 225	4034.2822	4036.2822	115
280 x 250	4034.2825	4036.2825	115
315 x 90	4034.3190	4036.3190	120
315 x 110	4034.3111	4036.3111	120
315 x 125	4034.3112	4036.3112	120
315 x 140	4034.3114	4036.3114	120
315 x 160	4034.3116	4036.3116	120
315 x 180	4034.3118	4036.3118	120
315 x 200	4034.3120	4036.3120	120
315 x 225	4034.3122	4036.3122	120
315 x 250	4034.3125	4036.3125	120
315 x 280	4034.3128	4036.3128	120
355 x 90	4034.3590	4036.3590	120
355 x 110	4034.3511	4036.3511	120
355 x 125	4034.3512	4036.3512	120
355 x 140	4034.3514	4036.3514	120
355 x 160	4034.3516	4036.3516	120
355 x 180	4034.3518	4036.3518	120
355 x 200	4034.3520	4036.3520	120
355 x 225	4034.3522	4036.3522	120
355 x 250	4034.3525	4036.3525	120
355 x 280	4034.3528	4036.3528	120

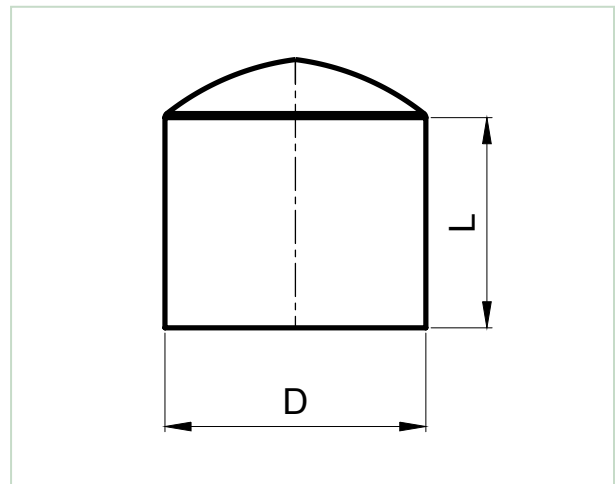
SIZE (mm)	CODE SDR11 (4034)	CODE SDR17 (4036)	L (mm)
355 x 315	4034.3531	4036.3531	120
400 x 90	4034.4090	4036.4090	125
400 x 110	4034.4011	4036.4011	125
400 x 125	4034.4012	4036.4012	125
400 x 140	4034.4014	4036.4014	125
400 x 160	4034.4016	4036.4016	125
400 x 180	4034.4018	4036.4018	125
400 x 200	4034.4020	4036.4020	125
400 x 225	4034.4022	4036.4022	125
400 x 250	4034.4025	4036.4025	125
400 x 280	4034.4028	4036.4028	125
400 x 315	4034.4031	4036.4031	125
400 x 355	4034.4035	4036.4035	125
450 x 160	4034.4516	4036.4516	125
450 x 180	4034.4518	4036.4518	125
450 x 200	4034.4520	4036.4520	125
450 x 225	4034.4522	4036.4522	125
450 x 250	4034.4525	4036.4525	125
450 x 280	4034.4528	4036.4528	125
450 x 315	4034.4531	4036.4531	125
450 x 355	4034.4535	4036.4535	125
500 x 200	4034.5020	4036.5020	125
500 x 225	4034.5022	4036.5022	125
500 x 250	4034.5025	4036.5025	125
500 x 280	4034.5028	4036.5028	125
500 x 315	4034.5031	4036.5031	125
500 x 355	4034.5035	4036.5035	125
500 x 400	4034.5040	4036.5040	125
500 x 450	4034.5045	4036.5045	125



# (4274 / 4276) SHORT SPIGOT END CAP

PE100 • SDR11 • SDR17

SIZE (mm)	CODE SDR11 (4274)	CODE SDR17 (4276)	L (mm)	BOX
125	4274.0125	4276.0125	35	1
140	4274.0140	4276.0140	35	1
160	4274.0160	4276.0160	40	1
180	4274.0180	4276.0180	45	1
200	4274.0200	4276.0200	45	1
225	4274.0225	4276.0225	50	1
250	4274.0250	4276.0250	55	1
280	4274.0280	4276.0280	60	1
315	4274.0315	4276.0315	65	1
355	4274.0355	4276.0355	70	1
400	4274.0400	4276.0400	75	1
450	4274.0450	4276.0450	85	1
500	4274.0500	4276.0500	90	1
560	4274.0560	4276.0560	100	1
630	4274.0630	4276.0630	110	1
710	4274.0710	4276.0710	120	1
800	4274.0800	4276.0800	130	1
900	4274.0900	4276.0900	140	1



36



Acu-Tech offers custom and specialized fittings including fully pressure rated tees, junctions and flanges machined from solid and hollow bar.



Fully rated short spigot equal and reducing tees from 355 mm to 710 mm.



Fully rated long spigot equal tees and reducing tees from 355 mm to 710 mm.



Fully rated level invert reducing tees from 355 mm to 710 mm.



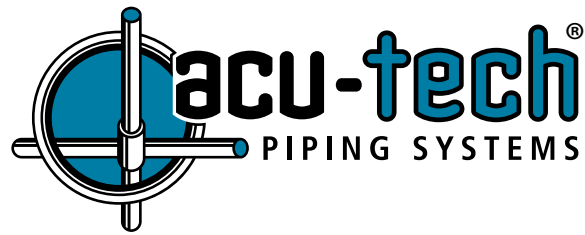
Spigot 45° Tees (Y Junction) - Fully pressure rated from 250 mm to 630 mm.





# FLANGES, GASKETS & BOLT SETS

Acu-Tech offers the complete package of PE stub flanges, galvanised or stainless steel backing rings, and packaged bolt sets. We also offer flange gaskets in a range of materials including fibre, rubber and the revolutionary Steel-Core rubber profile. Backing rings in AS4087, DIN, Table F and H patterns are available to order. Please call our sales team on 1300 270 270 for further information.



Butt Weld Stub Flange_____	40	Bolt Set - Table E (PE-PE)_____	51
Spigot Stub Flange_____	41	Bolt Set - Table E (Galv 8.8)_____	52
Butterfly Valve Spacer_____	42	Bolt Set - ANSI 150 Reduced Thickness (PE-Steel)_____	53
Table D Backing Ring_____	43	Bolt Set - ANSI 150 Reduced Thickness (PE-PE)_____	54
Table E Backing Ring_____	44	Bolt Set - ANSI 150 Reduced Thickness (Galv 8.8)_____	55
Table ANSI 150 Backing Ring_____	45	Bolt Set - ANSI 150 Full Thickness (PE-Steel)_____	56
Blind Flange_____	46	Bolt Set - ANSI 150 Full Thickness (PE-PE)_____	57
Bolt Set - Table D (PE-Steel)_____	47	Bolt Set - ANSI 150 Full Thickness (Galv 8.8)_____	58
Bolt Set - Table D (PE-PE)_____	48	Fibre Flange Gasket_____	59
Bolt Set - Table D (Galv 8.8)_____	49	Steel Core Flange Gasket _____	60-61
Bolt Set - Table E (PE-Steel)_____	50		

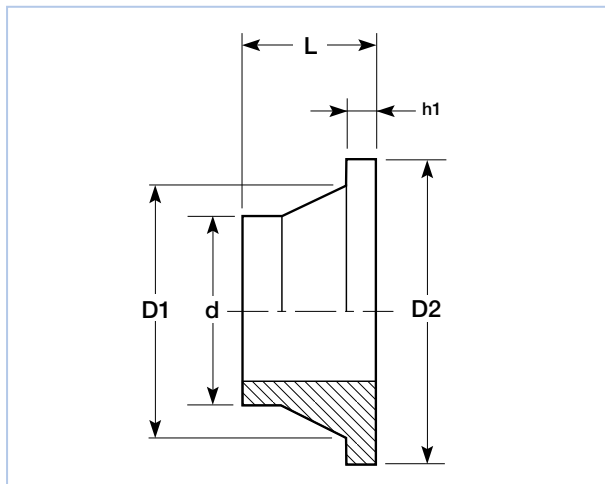
# BUTT WELD STUB FLANGE (4414 / 4416)

PE100 • SDR11 • SDR17

SIZE (mm)	CODE SDR11 (4414)	CODE SDR17 (4416)	D1 (mm)	D2 (mm)	L (mm)	H1 (mm)
90	4414.0090	4416.0090	103	129	60	20
110	4414.0110	4416.0110	124	160	60	20
125	4414.0125	4416.0125	132	160	65	25
140	4414.0140	4416.0140	154	192	65	25
160	4414.0160	4416.0160	168	213	65	25
180	4414.0180	4416.0180	185	213	65	30
200	4414.0200	4416.0200	225	270	75	30
225	4414.0225	4416.0225	230	270	80	30
250	4414.0250	4416.0250	284	334	80	35
280	4414.0280	4416.0280	290	334	85	35
315	4414.0315	4416.0315	335	380	90	40
355	4414.0355	4416.0355	366	444	100	40
400	4414.0400	4416.0400	420	495	100	45
450	4414.0450	4416.0450	466	545	110	55/46
500	4414.0500	4416.0500	520	596	125	60
560	4414.0560	4416.0560	582	657	130	60
630	4414.0630	4416.0630	650	710	130	60
710	4414.0710	4416.0710	735	800	130	65
800	4414.0800	4416.0800	825	940	162	92/80
900	4414.0900	-	944	1050	170	93
1000	4414.1000	-	1052	1125	183	113



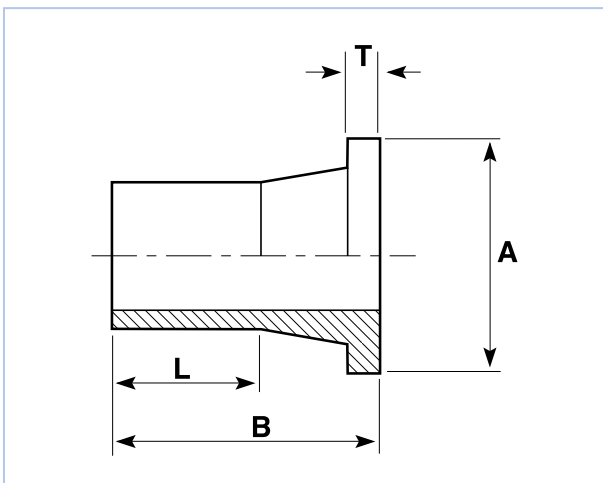
40



# SPIGOT STUB FLANGE (3414 / 3416)

PE100 • SDR11 • SDR17

SIZE (mm)	CODE SDR11 (3414)	CODE SDR17 (3416)	A (mm)	B (mm)	L (mm)	T (mm)
20	3414.0020	-	50	66	46	7
25	3414.0025	-	58	91	45	9
32	3414.0032	-	68	88	60	10
40	3414.0040	-	78	100	60	12
50	3414.0050	-	87	100	65	13
63	3414.0063	3416.0063	102	117	63	14
75	3414.0075	3416.0075	122	127	85	16
90	3414.0090	3416.0090	138	136	79	17
110	3414.0110	3416.0110	158	136	82	18
125	3414.0125	3416.0125	158	179	92	25
140	3414.0140	3416.0140	188	288	103	25
160	3414.0160	3416.0160	212	179	98	25
180	3414.0180	3416.0180	212	175	106	30
200	3414.0200	3416.0200	268	179	115	32
225	3414.0225	3416.0225	268	179	125	32
250	3414.0250	3416.0250	320	284	180	32
280	3414.0280	3416.0280	320	245	156	35
315	3414.0315	3416.0315	370	270	185	35
355	3414.0355	3416.0355	430	280	172	30
400	3414.0400	3416.0400	482	220	195	33
450	3414.0450	3416.0450	585	326 - 340	220	60
500	3414.0500	3416.0500	585	330 - 344	234	60
560	3414.0560	3416.0560	685	370 - 380	260	60
630	3414.0630	3416.0630	685	360 - 375	270	65

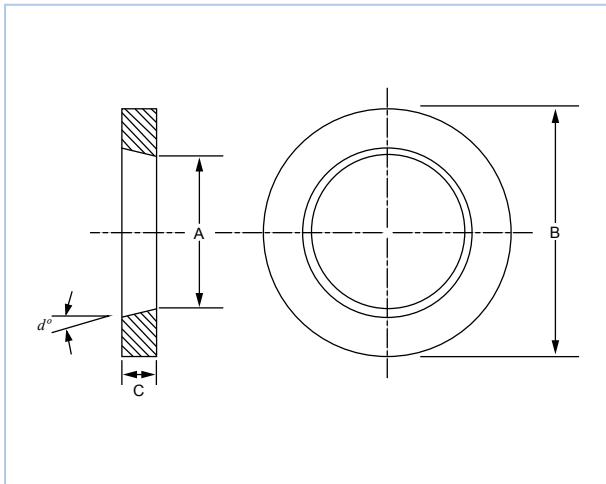


# BUTTERFLY VALVE SPACER

PE100 • SDR11 • SDR17

PIPE O.D	CODE SDR11	CODE SDR13.6	CODE SDR17	SDR11				SDR13.6				SDR17				
				A	B	C	d°	A	B	C	d°	A	B	C	d°	
90	BFVS09011			74.5	129	20	20	-					-	-	-	-
110	BFVS11011	BFVS11013	BFVS11017	90	160	14	20	93	160	14	20	97	160	14	20	
125	BFVS12511		BFVS12517	102	160	25	25	-				110	192	30	20	
140	BFVS14011			115	192	25	20	-				-	-	-	-	
160	BFVS16011	BFVS16013	BFVS16017	131	217	25	25	136	217	20	20	141	217	25	20	
180	BFVS18011			149	213	30	10					-	-	-	-	
200	BFVS20011		BFVS20017	164	270	40	30	-				177	270	25	30	
225	BFVS22511			184	270	25	25	-				-	-	-	-	
250	BFVS25011	BFVS25013	BFVS25017	205	335	60	25	212	335	40	30	220	335	35	30	
280	BFVS28011		BFVS28017	229	334	30	29	-				248	334	30	20	
315	BFVS31511		BFVS31517	258	380	50	25	-				279	380	30	30	
355	BFVS35511	BFVS35513	BFVS35517	291	445	80	30	302	445	60	30	314	445	55	30	
400	BFVS40011	BFVS40013	BFVS40017	325	495	85	30	340	495	65	30	352	495	65	30	
450	BFVS45011	BFVS45013	BFVS45017	366	545	90	30	382	545	70	30	396	545	70	30	
500	BFVS50011	BFVS50013	BFVS50017	407	595	100	35	425	595	75	35	440	595	75	30	
630	BFVS63011	BFVS63013	BFVS63017	513	710	100	30	535	710	70	35	554	710	60	30	

42



SIZE (mm)	NOMINAL FLANGE SIZE	INCH SIZE	GALV CODE	STAINLESS CODE	P (mm)	I (mm)	D (mm)	T (mm)	BOLT HOLES NO. X DIA	BOLT
20	15	½"	5451.0020	5452.0020	67	28	95	6	4x14	M12
25	20	¾"	5451.0025	5452.0025	73	34	100	6	4x14	M12
32	25	1"	5451.0032	5452.0032	83	42	115	6	4x14	M12
40	32	1 ¼"	5451.0040	5452.0040	87	51	120	6	4x14	M12
50	40	1 ½"	5451.0050	5452.0050	98	62	135	8	4x14	M12
63	50	2"	5451.0063	5452.0063	114	78	150	8	4x18	M16
75	65	2 ½"	5451.0075	5452.0075	127	92	165	8	4x18	M16
90	80	3"	5451.0090	5452.0090	146	108	185	10	4x18	M16
110	100	4"	5441.0110	5442.0110	178	128	215	10	4x18	M16
125	100	4"	5441.4125	5442.4125	178	135	215	10	4x18	M16
125	125	5"	5441.5125	5442.5125	210	140	255	13	8x18	M16
140	125	5"	5441.0140	5442.0140	210	158	255	13	8x18	M16
160	150	6"	5441.0160	5442.0160	235	178	280	13	8x18	M16
180	150	6"	5441.0180	5442.0180	235	188	280	13	8x18	M16
200	200	8"	5441.0200	5442.0200	292	235	335	13	8x18	M16
225	200	8"	5441.0225	5442.0225	292	238	335	13	8x18	M16
250	250	10"	5441.0250	5442.0250	356	288	405	16	8x22	M20
280	250	10"	5441.0280	5442.0280	356	294	405	16	8x22	M20
315	300	12"	5441.0315	5442.0315	406	338	455	19	12x22	M20
355	350	14"	5441.0355	5442.0355	470	376	525	22	12x26	M24
400	400	16"	5441.0400	5442.0400	521	430	580	22	12x26	M24
450	450	18"	5441.0450	5442.0450	584	480	640	25	12x26	M24
500	500	20"	5441.0500	5442.0500	641	533	705	29	16x26	M24
560	550	22"	5441.0560	5442.0560	699	618	760	32	16x30	M27
630	600	24"	5441.0630	5442.0630	756	645	825	32	16x30	M27
710	700	26"	5441.0710	5442.0710	845	740	910	35	20x30	M27
800	800	28"	5441.0800	5442.0800	984	843	1060	41	20x36	M33
900	900		5441.0900	5442.0900	1092	947	1175	48	24x36	
1000	1000		5441.1000	5442.1000	1175	1050	1255	51	24x36	

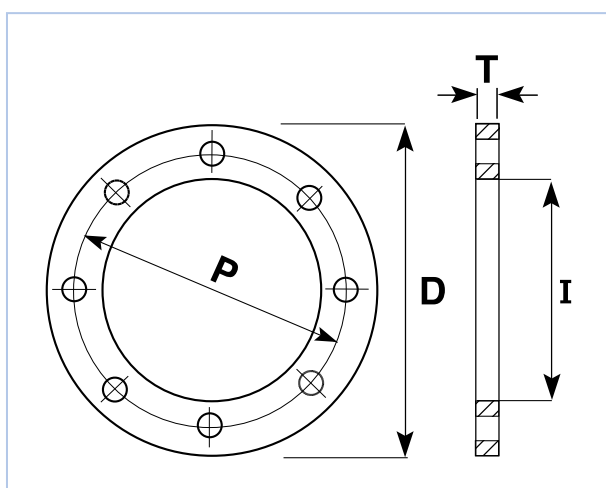
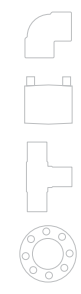
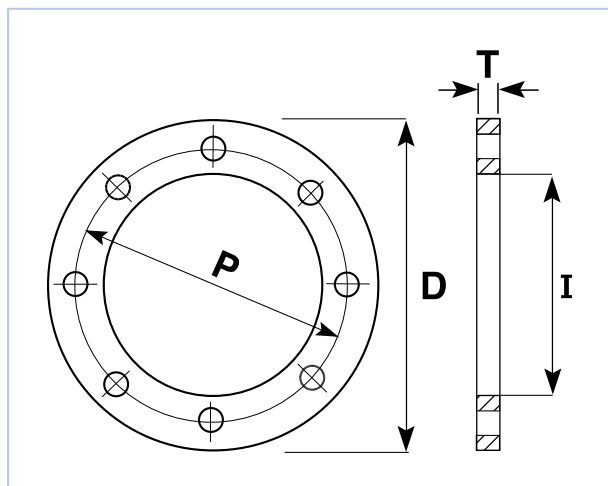




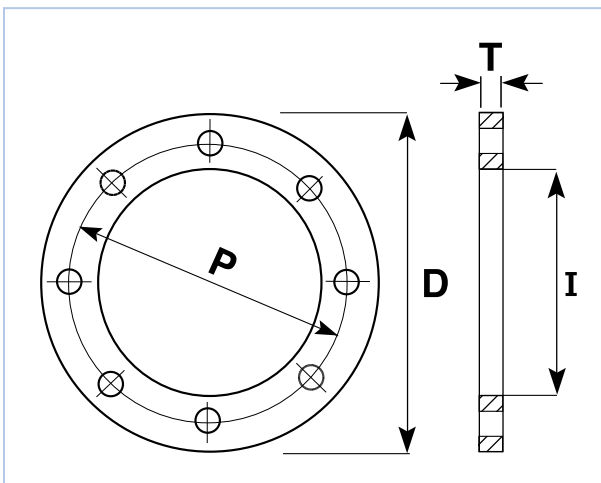
TABLE E GALVANISED BACKING RING (5451)  
STAINLESS BACKING RING (5452)

SIZE (mm)	NOMINAL FLANGE SIZE	INCH SIZE	GALV CODE	STAINLESS CODE	P (mm)	I (mm)	D (mm)	T (mm)	BOLT HOLES NO. X DIA	BOLT
20	15	½"	5451.0020	5452.0020	67	28	95	6	4x14	M12
25	20	¾"	5451.0025	5452.0025	73	34	100	6	4x14	M12
32	25	1"	5451.0032	5452.0032	83	42	115	7	4x14	M12
40	32	1 ¼"	5451.0040	5452.0040	87	51	120	8	4x14	M12
50	40	1 ½"	5451.0050	5452.0050	98	62	135	9	4x14	M12
63	50	2"	5451.0063	5452.0063	114	78	150	10	4x18	M16
75	65	2 ½"	5451.0075	5452.0075	127	92	165	10	4x18	M16
90	80	3"	5451.0090	5452.0090	146	108	185	11	4x18	M16
110	100	4"	5451.0110	5452.0110	178	128	215	13	8x18	M16
125	100	4"	5451.0125	5452.0125	178	135	215	13	8x18	M16
125	125	4"	5451.4125	5452.4125	210	140	255	14	8x18	M16
140	125	5"	5451.5140	5452.5140	210	158	255	14	8x18	M16
160	150	6"	5451.0160	5452.0160	235	178	280	17	8x22	M20
180	150	6"	5451.0180	5452.0180	235	188	280	17	8x22	M20
200	200	8"	5451.0200	5452.0200	292	235	335	19	8x22	M20
225	200	8"	5451.0225	5452.0225	292	238	335	19	8x22	M20
250	250	10"	5451.0250	5452.0250	356	288	405	22	12x22	M20
280	250	10"	5451.0280	5452.0280	356	294	405	22	12x22	M20
315	300	12"	5451.0315	5452.0315	406	338	455	25	12x26	M24
355	350	14"	5451.0355	5452.0355	470	376	525	29	12x26	M24
400	400	16"	5451.0400	5452.0400	521	430	580	32	12x26	M24
450	450	18"	5451.0450	5452.0450	584	480	640	35	16x26	M24
500	500	20"	5451.0500	5452.0500	641	533	705	38	16x26	M24
560	550	22"	5451.0560	5452.0560	699	618	760	44	16x30	M27
630	600	24"	5451.0630	5452.0630	756	645	825	48	16x33	M30
710	700	28"	5451.0710	5452.0710	845	740	910	51	20x33	M30
800	800	28"	5451.0800	5452.0800	984	843	1060	54	20x36	M33
900	900		5451.0900	5452.0900	1092	947	1175	64	24x36	
1000	1000		5451.1000	5452.1000	1175	1050	1255	67	24x39	



SIZE (mm)	NOMINAL FLANGE SIZE	INCH SIZE	GALV CODE	STAINLESS CODE	P (mm)	I (mm)	D (mm)	T (mm)	BOLT HOLES NO. X DIA	BOLT
20	15	½"	5461.0020	5462.0020	60.5	28	90	6	4x16	½"
25	20	¾"	5461.0025	5462.0025	70	34	98	6	4x16	½"
32	25	1"	5461.0032	5462.0032	79.5	42	108	7	4x16	½"
40	32	1 ¼"	5461.0040	5462.0040	89	51	117	8	4x16	½"
50	40	1 ½"	5461.0050	5462.0050	98.5	62	127	9	4x16	½"
63	50	2"	5461.0063	5462.0063	120.5	78	152	10	4x20	⅝"
75	65	2 ½"	5461.0075	5462.0075	139.5	92	178	10	4x20	⅝"
90	80	3"	5461.0090	5462.0090	152	108	191	11	4x20	⅝"
110	100	4"	5461.0110	5462.0110	190.5	128	229	13	8x20	⅝"
125	125	5"	5461.5125	5462.5125	216	135	254	14	8x22	¾"
140	125	5"	5461.0140	5462.0140	216	158	254	14	8x22	¾"
160	150	6"	5461.0160	5462.0160	241	178	279	17	8x22	¾"
180	150	6"	5461.0180	5462.0180	241	188	279	17	8x22	¾"
200	200	8"	5461.0200	5462.0200	298.5	235	343	19	8x22	¾"
225	200	8"	5461.0225	5462.0225	298.5	238	343	19	8x22	¾"
250	250	10"	5461.0250	5462.0250	362	288	406	22	12x26	⅞"
280	250	10"	5461.0280	5462.0280	362	294	406	22	12x26	⅞"
315	300	12"	5461.0315	5462.0315	432	338	483	25	12x26	⅞"
355	350	14"	5461.0355	5462.0355	476	376	535	29	12x30	1"
400	400	16"	5461.0400	5462.0400	540	430	600	32	16x30	1"
450	450	18"	5461.0450	5462.0450	578	480	635	35	16x33	1 ⅛"
500	500	20"	5461.0500	5462.0500	635	533	700	38	20x33	1 ⅛"
560	550	22"	5461.0560	5462.0560	692	590	750	45	20x36	1 ¼"
630	600	24"	5461.0630	5462.0630	750	645	815	48	20x36	1 ¼"

Note: The thickness of these backing rings has been reduced to comply with AS 2129 Table E Thickness.



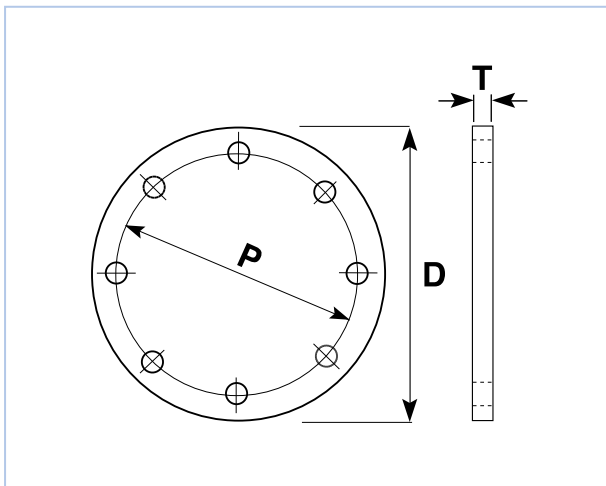
45

# BLIND FLANGE

PE100 • SDR11 • SDR17

800SIZE (mm)	NOMINAL FLANGE SIZE	INCH SIZE	TABLE D GALV (5471)	TABLE D STAINLESS (5472)	TABLE E GALV (5481)	TABLE E STAINLESS (5482)	ANSI 150LB GALV (5491)	ANSI 150LB STAINLESS (5492)
20	15	½"	5471.0020	5472.0020	5481.0020	5482.0020	5491.0020	5492.0020
25	20	¾"	5471.0025	5472.0025	5481.0025	5482.0025	5491.0025	5492.0025
32	25	1"	5471.0032	5472.0032	5481.0032	5482.0032	5491.0032	5492.0032
40	32	1¼"	5471.0040	5472.0040	5481.0040	5482.0040	5491.0040	5492.0040
50	40	1½"	5471.0050	5472.0050	5481.0050	5482.0050	5491.0050	5492.0050
63	50	2"	5471.0063	5472.0063	5481.0063	5482.0063	5491.0063	5492.0063
75	65	2½"	5471.0075	5472.0075	5481.0075	5482.0075	5491.0075	5492.0075
90	80	3"	5471.0090	5472.0090	5481.0090	5482.0090	5491.0090	5492.0090
110	100	4"	5471.0110	5472.0110	5481.0110	5482.0110	5491.0110	5492.0110
125	100	4"	5471.4125	5472.4125	5481.4125	5482.4125	5491.4125	5492.4125
125	125	5"	5471.5125	5472.5125	5481.5125	5482.5125	5491.5125	5492.5125
160	150	6"	5471.0160	5472.0160	5481.0160	5482.0160	5491.0160	5492.0160
180	150	6"	5471.0180	5472.0180	5481.0180	5482.0180	5491.0180	5492.0180
200	200	8"	5471.0200	5472.0200	5481.0200	5482.0200	5491.0200	5492.0200
225	200	8"	5471.0225	5472.0225	5481.0225	5482.0225	5491.0225	5492.0225
250	250	10"	5471.0250	5472.0250	5481.0250	5482.0250	5491.0250	5492.0250
280	250	10"	5471.0280	5472.0280	5481.0280	5482.0280	5491.0280	5492.0280
315	300	12"	5471.0315	5472.0315	5481.0315	5482.0315	5491.0315	5492.0315
355	350	14"	5471.0355	5472.0355	5481.0355	5482.0355	5491.0355	5492.0355
400	400	16"	5471.0400	5472.0400	5481.0400	5482.0400	5491.0400	5492.0400
450	450	18"	5471.0450	5472.0450	5481.0450	5482.0450	5491.0450	5492.0450
500	500	20"	5471.0500	5472.0500	5481.0500	5482.0500	5491.0500	5492.0500
560	-	22"	5471.0560	5472.0560	5481.0560	5482.0560	5491.0560	5492.0560
630	600	24"	5471.0630	5472.0630	5481.0630	5482.0630	5491.0630	5492.0630
710	650	26"	5471.0710	5472.0710	5481.0710	5482.0710	5491.0710	5492.0710
800	700	28"	5471.0800	5472.0800	5481.0800	5482.0800	5491.0800	5492.0800

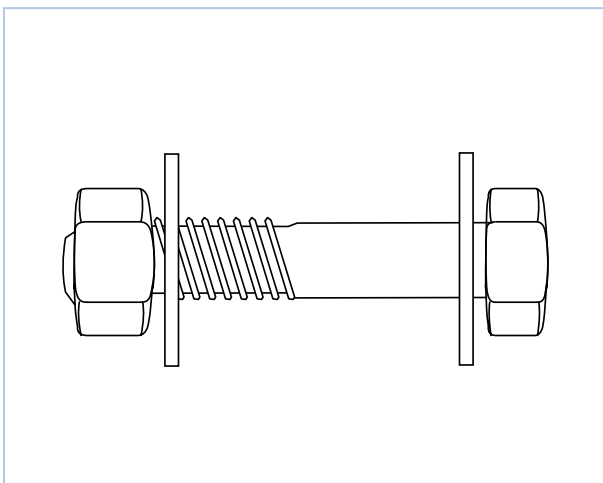
46



PE FLANGE SIZE	STEEL FLANGE (mm)	INCH SIZE	HOLE PATTERN	HOLE SIZE X NUMBER	MAX THICKNESS OF STEEL FLANGE + GASKET *	CODE GALVANISED 4.6	CODE 316 STAINLESS STEEL
20	15	½"	Table D/E	4 x 14	17.5	9661.00204.6	9671.0020
25	20	¾"	Table D/E	4 x 14	15.5	9661.00254.6	9671.0025
32	25	1"	Table D/E	4 x 14	13.5	9661.00324.6	9671.0032
40	32	1 ¼"	Table D/E	4 x 14	21.5	9661.00404.6	9671.0040
50	40	1 ½"	Table D/E	4 x 14	19.5	9661.00504.6	9671.0050
63	50	2"	Table D/E	18 x 4	22	9661.00634.6	9671.0063
75	65	2 ½"	Table D/E	18 x 4	20	9661.00754.6	9671.0075
90	80	3"	Table D/E	18 x 4	18	9661.00904.6	9671.0090
110	100	4"	Table D	18 x 4	28	9662.01104.6	9672.0110
125	125	5"	Table D	18 x 8	28	9662.51254.6	9672.0125
140	125	5"	Table D	18 x 8	28	9662.01404.6	9672.0140
160	150	6"	Table D	18 x 8	28	9662.01604.6	9672.0160
180	150	6"	Table D	18 x 8	33	9662.01804.6	9672.0180
200	200	8"	Table D	18 x 8	31	9662.02004.6	9672.0200
225	200	8"	Table D	18 x 8	31	9662.02254.6	9672.0225
250	250	10"	Table D	22 x 8	31	9662.02504.6	9672.0250
280	250	10"	Table D	22 x 8	31	9662.02804.6	9672.0280
315	300	12"	Table D	22 x 12	38	9662.03154.6	9672.0315
355	350	14"	Table D	26 x 12	42.5	9662.03554.6	9672.0355
400	400	16"	Table D	26 x 12	36.5	9662.04004.6	9672.0400
450	450	18"	Table D	26 x 12	39.5	9662.04504.6	9672.0450
500	500	20"	Table D	26 x 16	45.5	9662.05004.6	9672.0500
560	550	22"	Table D	30 x 16	43.5	9662.05604.6	9672.0560
630	600	24"	Table D	30 x 16	50.5	9662.06304.6	9672.0630
710	700	26"	Table D	20 x 30	50.5	9662.07104.6	9672.0710
800	800	28"	Table D	20 x 36	61.5	9662.08004.6	9672.0800

Note 1: Consult gasket supplier for correct torque values.

Note 2: Specialised stud bolt range available to order.

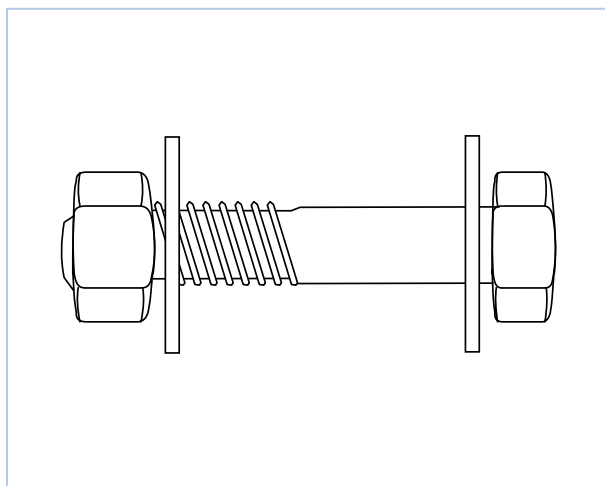


**TABLE D** BOLT SET SDR11 PE TO PE FLANGE CONNECTION  
GALVANISED GRADE 4.6 & STAINLESS STEEL (9667 / 9677)

PE FLANGE SIZE	STEEL FLANGE (mm)	INCH SIZE	HOLE PATTERN	HOLE SIZE X NUMBER	MAX THICKNESS OF GASKET	CODE GALVANISED 4.6	CODE 316 STAINLESS STEEL
20	15	½"	Table D/E	4 x 14	14.5	9666.00204.6	9676.0020
25	20	¾"	Table D/E	4 x 14	10.5	9666.00254.6	9676.0025
32	25	1"	Table D/E	4 x 14	6.5	9666.00324.6	9676.0032
40	32	1 ¼"	Table D/E	4 x 14	12.5	9666.00404.6	9676.0040
50	40	1 ½"	Table D/E	4 x 14	8.5	9666.00504.6	9676.0050
63	50	2"	Table D/E	18 x 4	8	9666.00634.6	9676.0063
75	65	2 ½"	Table D/E	18 x 4	14	9666.00754.6	9676.0075
90	80	3"	Table D/E	18 x 4	10	9666.00904.6	9676.0090
110	100	4"	Table D	18 x 4	10	9667.01104.6	9677.0110
125	125	5"	Table D	18 x 8	10	9667.01254.6	9677.0125
140	125	5"	Table D	18 x 8	10	9667.01404.6	9677.0140
160	150	6"	Table D	18 x 8	10	9667.01604.6	9677.0160
180	150	6"	Table D	18 x 8	10	9667.01804.6	9677.0180
200	200	8"	Table D	18 x 8	16	9667.02004.6	9677.0200
225	200	8"	Table D	18 x 8	16	9667.02254.6	9677.0225
250	250	10"	Table D	22 x 8	20	9667.02504.6	9677.0250
280	250	10"	Table D	22 x 8	20	9667.02804.6	9677.0280
315	300	12"	Table D	22 x 12	14	9667.03154.6	9677.0315
355	350	14"	Table D	26 x 12	20.5	9667.03554.6	9677.0355
400	400	16"	Table D	26 x 12	18.5	9667.04004.6	9677.0400
450	450	18"	Table D	26 x 12	14.5	9667.04504.6	9677.0450
500	500	20"	Table D	26 x 16	16.5	9667.05004.6	9677.0500
560	550	22"	Table D	30 x 16	14.5	9667.05604.6	9677.0560
630	600	24"	Table D	30 x 16	18.5	9667.06304.6	9677.0630
710	700	26"	Table D	20 x 30	18.5	9667.07104.6	9677.0710
800	800	28"	Table D	20 x 36	16.5	9667.08004.6	9677.0800

Note 1: Consult gasket supplier for correct torque values.

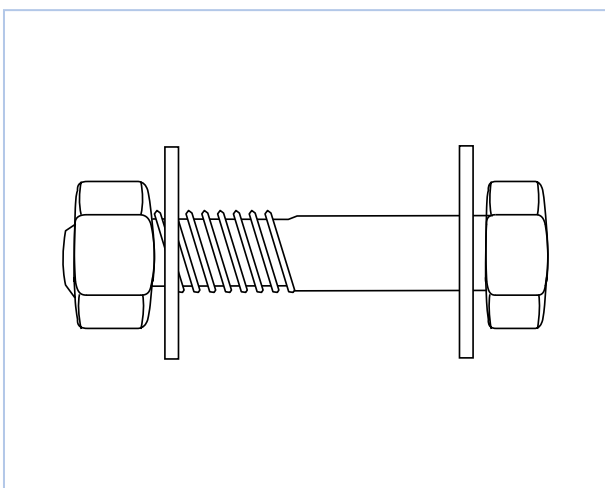
Note 2: Specialised stud bolt range available to order.



# BOLT SET SDR11 GALVANISED GRADE 8.8 PE TO PE & PE TO STEEL FLANGE CONNECTION (9662 / 9667)

## TABLE D

PE FLANGE SIZE	STEEL FLANGE (mm)	INCH SIZE	HOLE PATTERN	HOLE SIZE X NUMBER	SDR11 PE TO STEEL FLANGE		SDR11 PE TO PE FLANGE	
					MAX THICKNESS OF FLANGE + GASKET	CODE 8.8 GALV GRADE STEEL	MAX THICKNESS OF FLANGE + GASKET	CODE 8.8 GALV GRADE STEEL
20	15	½"	Table D/E	4 x 14	14.5	9661.00208.8	11.5	9666.00208.8
25	20	¾"	Table D/E	4 x 14	12.5	9661.00258.8	7.5	9666.00258.8
32	25	1"	Table D/E	4 x 14	10.5	9661.00328.8	3.5	9666.00328.8
40	32	1 ¼"	Table D/E	4 x 14	18.5	9661.00408.8	9.5	9666.00408.8
50	40	1 ½"	Table D/E	4 x 14	16.5	9661.00508.8	5.5	9666.00508.8
63	50	2"	Table D/E	18 x 4	19	9661.00638.8	5	9666.00638.8
75	65	2.5"	Table D/E	18 x 4	17	9661.00758.8	11	9666.00758.8
90	80	3"	Table D/E	18 x 4	15	9661.00908.8	7	9666.00908.8
110	100	4"	Table D	18 x 4	25	9662.01108.8	7	9667.01108.8
125	125	5"	Table D	18 x 8	25	9662.01258.8	7	9667.01258.8
140	125	5"	Table D	18 x 8	25	9662.01408.8	7	9667.01408.8
160	150	6"	Table D	18 x 8	25	9662.01608.8	7	9667.01608.8
180	150	6"	Table D	18 x 8	30	9662.01808.8	7	9667.01808.8
200	200	8"	Table D	18 x 8	28	9662.02008.8	13	9667.02008.8
225	200	8"	Table D	18 x 8	28	9662.02258.8	13	9667.02258.8
250	250	10"	Table D	22 x 8	27	9662.02508.8	16	9667.02508.8
280	250	10"	Table D	22 x 8	27	9662.02808.8	16	9667.02808.8
315	300	12"	Table D	22 x 12	34	9662.03158.8	10	9667.03158.8
355	350	14"	Table D	26 x 12	40	9662.03558.8	18	9667.03558.8
400	400	16"	Table D	26 x 12	34	9662.04008.8	16	9667.04008.8
450	450	18"	Table D	26 x 12	37	9662.04508.8	12	9667.04508.8
500	500	20"	Table D	26 x 16	43	9662.05008.8	14	9667.05008.8
560	550	22"	Table D	30 x 16	-	-	-	-
630	600	24"	Table D	30 x 16	-	-	-	-
710	700	26"	Table D	20 x 30	-	-	-	-
800	800	28"	Table D	20 x 36	-	-	-	-



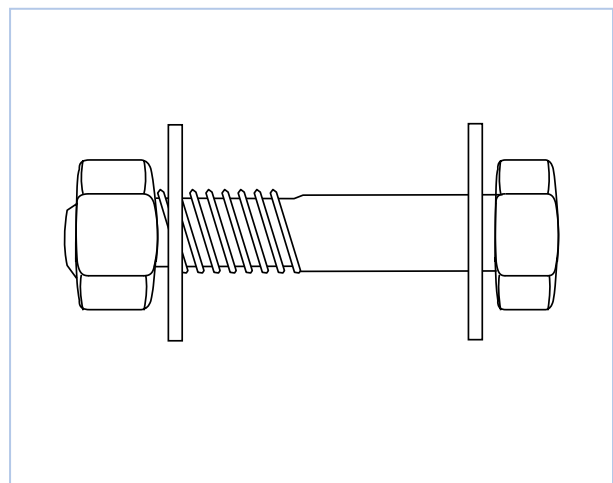
49



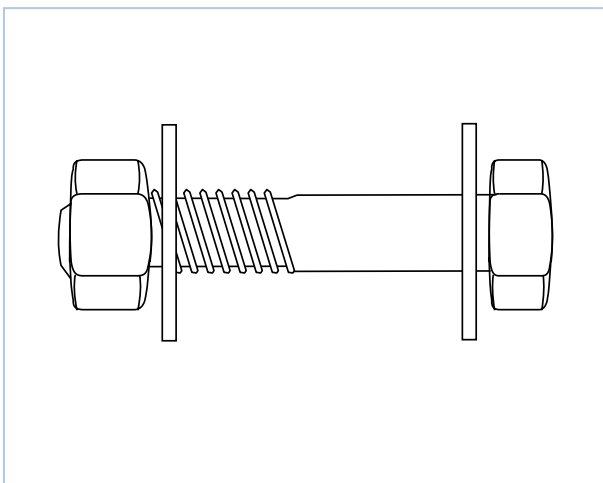
PE FLANGE SIZE	STEEL FLANGE (mm)	INCH SIZE	HOLE PATTERN	HOLE SIZE X NUMBER	MAX THICKNESS OF STEEL FLANGE + GASKET *	CODE GALVANISED 4.6M/S	CODE 316 STAINLESS STEEL
20	15	½"	Table D/E	4 x 14	17.5	9661.00204.6	9671.0020
25	20	¾"	Table D/E	4 x 14	15.5	9661.00254.6	9671.0025
32	25	1"	Table D/E	4 x 14	13.5	9661.00324.6	9671.0032
40	32	1 ¼"	Table D/E	4 x 14	21.5	9661.00404.6	9671.0040
50	40	1 ½"	Table D/E	4 x 14	19.5	9661.00504.6	9671.0050
63	50	2"	Table D/E	18 x 4	22	9661.00634.6	9671.0063
75	65	2½"	Table D/E	18 x 4	20	9661.00754.6	9671.0075
90	80	3"	Table D/E	18 x 4	18	9661.00904.6	9671.0090
110	100	4"	Table E	18 x 8	25	9663.01104.6	9673.0110
125	100	4"	Table E	18 x 8	25	9663.01214.6	9673.1210
125	125	5"	Table E	18 x 8	27	9663.01254.6	9673.0125
140	125	5"	Table E	18 x 8	27	9663.01404.6	9673.0140
160	150	6"	Table E	22 x 8	29	9663.01604.6	9673.0160
180	150	6"	Table E	22 x 8	24	9663.01804.6	9673.0180
200	200	8"	Table E	22 x 8	30	9663.02004.6	9673.0200
225	200	8"	Table E	22 x 8	30	9663.02254.6	9673.0225
250	250	10"	Table E	22 x 12	34	9663.02504.6	9673.0250
280	250	10"	Table E	22 x 12	34	9663.02804.6	9673.0280
315	300	12"	Table E	26 x 12	34.5	9663.03154.6	9673.0315
355	350	14"	Table E	26 x 12	45.5	9663.03554.6	9673.0355
400	400	16"	Table E	26 x 12	46.5	9663.04004.6	9673.0400
450	450	18"	Table E	26 x 16	49.5	9663.04504.6	9673.0450
500	500	20"	Table E	26 x 16	56.5	9663.05004.6	9673.0500
560	550	22"	Table E	30 x 16	58.5	9663.05604.6	9673.0560
630	600	24"	Table E	33 x 16	61.5	9663.06304.6	9673.0630
710	700	26"	Table E	33 x 20	61.5	9663.07104.6	9673.0710
800	800	28"	Table E	36 x 20	68.5	9663.08004.6	9673.0800

Note 1: Consult gasket supplier for correct torque values.

Note 2: Specialised stud bolt range available to order.

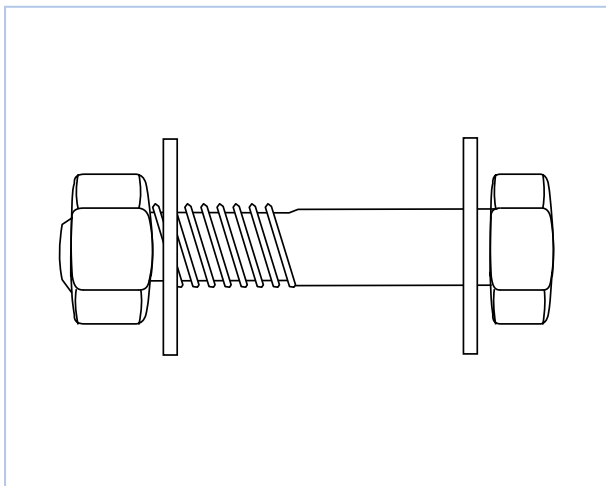


PE FLANGE SIZE	STEEL FLANGE (mm)	INCH SIZE	HOLE PATTERN	HOLE SIZE X NUMBER	MAX THICKNESS OF GASKET *	CODE GALVANISED 4.6M/S	CODE 316 STAINLESS STEEL
20	15	½"	Table D/E	4 x 14	14.5	9666.00204.6	9676.0020
25	20	¾"	Table D/E	4 x 14	10.5	9666.00254.6	9676.0025
32	25	1"	Table D/E	4 x 14	6.5	9666.00324.6	9676.0032
40	32	1 ¼"	Table D/E	4 x 14	12.5	9666.00404.6	9676.0040
50	40	1 ½"	Table D/E	4 x 14	8.5	9666.00504.6	9676.0050
63	50	2"	Table D/E	18 x 4	8	9666.00634.6	9676.0063
75	65	2 ½"	Table D/E	18 x 4	14	9666.00754.6	9676.0075
90	80	3"	Table D/E	18 x 4	10	9666.00904.6	9676.0090
110	100	4"	Table E	18 x 8	14	9668.01104.6	9678.0110
125	100	4"	Table E	18 x 8	14	9668.12104.6	9678.1210
125	125	5"	Table E	18 x 8	8	9668.01254.6	9678.0125
140	125	5"	Table E	18 x 8	8	9668.01404.6	9678.0140
160	150	6"	Table E	22 x 8	7	9668.01604.6	9678.0160
180	150	6"	Table E	22 x 8	7	9668.01804.6	9678.0180
200	200	8"	Table E	22 x 8	9	9668.02004.6	9678.0200
225	200	8"	Table E	22 x 8	9	9668.02254.6	9678.0225
250	250	10"	Table E	22 x 12	7	9668.02504.6	9678.0250
280	250	10"	Table E	22 x 12	7	9668.02804.6	9678.0280
315	300	12"	Table E	26 x 12	14.5	9668.03154.6	9678.0315
355	350	14"	Table E	26 x 12	16.5	9668.03554.6	9678.0355
400	400	16"	Table E	26 x 12	18.5	9668.04004.6	9678.0400
450	450	18"	Table E	26 x 16	14.5	9668.04504.6	9678.0450
500	500	20"	Table E	26 x 16	18.5	9668.05004.6	9678.0500
560	550	22"	Table E	30 x 16	14.5	9668.05604.6	9678.0560
630	600	24"	Table E	33 x 16	13.5	9668.06304.6	9678.0630
710	700	26"	Table E	33 x 20	13.5	9668.07004.6	9678.0700
800	800	28"	Table E	36 x 20	10.5	9668.08004.6	9678.0800



**TABLE E** BOLT SET SDR11 GALVANISED GRADE 8.8  
PE TO STEEL & PE TO PE FLANGE CONNECTION (9663 / 9668)

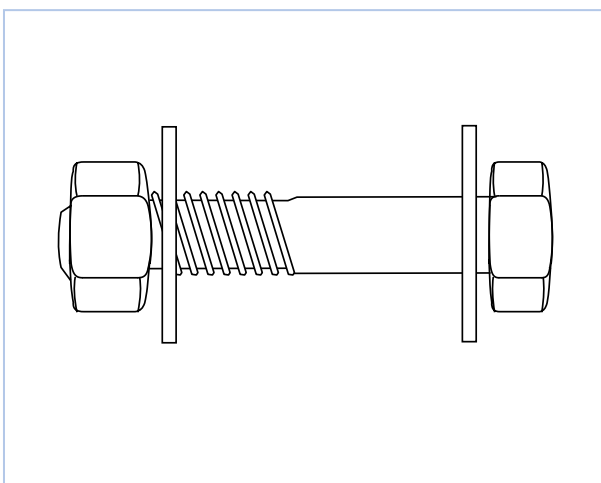
PE FLANGE SIZE	STEEL FLANGE (mm)	INCH SIZE	HOLE PATTERN	HOLE SIZE X NUMBER	SDR11 PE TO STEEL FLANGE		SDR11 PE TO PE FLANGE	
					MAX THICKNESS OF FLANGE + GASKET	CODE 8.8 GALV GRADE STEEL	MAX THICKNESS OF FLANGE + GASKET	CODE 8.8 GALV GRADE STEEL
20	15	½"	Table D/E	14 x 4	14.5	9661.00208.8	11.5	9673.00208.8
25	20	¾"	Table D/E	14 x 4	12.5	9661.00258.8	7.5	9673.00258.8
32	25	1"	Table D/E	14 x 4	10.5	9661.00328.8	3.5	9673.00328.8
40	32	1 ¼"	Table D/E	14 x 4	18.5	9661.00408.8	9.5	9673.00408.8
50	40	1 ½"	Table D/E	14 x 4	16.5	9661.00508.8	5.5	9673.00508.8
63	50	2"	Table D/E	18 x 4	19	9661.00638.8	5	9673.00638.8
75	65	2 ½"	Table D/E	18 x 4	17	9661.00758.8	11	9673.00758.8
90	80	3"	Table D/E	18 x 4	15	9661.00908.8	7	9673.00908.8
110	100	4"	Table E	18 x 8	22	9663.01108.8	11	9668.01108.8
125	100	4"	Table E	18 x 8	22	9663.12108.8	11	9668.12108.8
125	125	5"	Table E	18 x 8	24	9663.01258.8	5	9668.01258.8
140	125	5"	Table E	18 x 8	24	9663.01408.8	5	9668.01408.8
160	150	6"	Table E	22 x 8	26	9663.01608.8	4	9668.01608.8
180	150	6"	Table E	22 x 8	21	9663.01808.8	4	9668.01808.8
200	200	8"	Table E	22 x 8	27	9663.02008.8	6	9668.02008.8
225	200	8"	Table E	22 x 8	27	9663.02258.8	6	9668.02258.8
250	250	10"	Table E	22 x 12	31	9663.02508.8	4	9668.02508.8
280	250	10"	Table E	22 x 12	31	9663.02808.8	4	9668.02808.8
315	300	12"	Table E	26 x 12	32	9663.03158.8	12	9668.03158.8
355	350	14"	Table E	26 x 12	43	9663.03558.8	14	9668.03558.8
400	400	16"	Table E	26 x 12	44	9663.04008.8	16	9668.04008.8
450	450	18"	Table E	26 x 16	47	9663.04508.8	12	9668.04508.8
500	500	20"	Table E	26 x 16	54	9663.05008.8	16	9668.05008.8
560	550	22"	Table E	30 x 16	51	9663.05608.8	7	9668.05608.8
630	600	24"	Table E	33 x 16	56	9663.06308.8	8	9668.06308.8
710	700	26"	Table E	33 x 20	56	9663.07008.8	8	9668.07008.8
800	800	28"	Table E	36 x 20	68.5	9663.08008.8	10.5	9668.08008.8



PE FLANGE SIZE	STEEL FLANGE (mm)	INCH SIZE	HOLE PATTERN	HOLE SIZE X NUMBER	MAX THICKNESS OF GASKET *	CODE GALVANISED 4.6M/S	CODE 316 STAINLESS STEEL
20	15	½"	ANSI 150	4 x 16	17.5	9664.00204.6	9674.0020
25	20	¾"	ANSI 150	4 x 16	15.5	9664.00254.6	9674.0025
32	25	1"	ANSI 150	4 x 16	13.5	9664.00324.6	9674.0032
40	32	1 ¼"	ANSI 150	4 x 16	21.5	9664.00404.6	9674.0040
50	40	1 ½"	ANSI 150	4 x 16	19.5	9664.00504.6	9674.0050
63	50	2"	ANSI 150	4 x 20	21	9664.00634.6	9674.0063
75	65	2 ½"	ANSI 150	4 x 20	19	9664.00754.6	9674.0075
90	80	3"	ANSI 150	4 x 20	17	9664.00904.6	9674.0090
110	100	4"	ANSI 150	8 x 20	24	9664.01104.6	9674.0110
125	125	5"	ANSI 150	8 x 22	22	9664.01254.6	9674.0125
140	125	5"	ANSI 150	8 x 22	22	9664.01404.6	9674.0140
160	150	6"	ANSI 150	8 x 22	29	9664.01604.6	9674.0160
180	150	6"	ANSI 150	8 x 22	24	9664.01804.6	9674.0180
200	200	8"	ANSI 150	8 x 22	30	9664.02004.6	9674.0200
225	200	8"	ANSI 150	8 x 22	30	9664.02254.6	9674.0225
250	250	10"	ANSI 150	12 x 26	37.5	9664.02504.6	9674.0250
280	250	10"	ANSI 150	12 x 26	37.5	9664.02804.6	9674.0280
315	300	12"	ANSI 150	12 x 26	34.5	9664.03154.6	9674.0315
355	350	14"	ANSI 150	12 x 30	43.5	9664.03554.6	9674.0355
400	400	16"	ANSI 150	16 x 30	44.5	9664.04004.6	9674.0400
450	450	18"	ANSI 150	16 x 33	44.5	9664.04504.6	9674.0450
500	500	20"	ANSI 150	20 x 33	51.5	9664.05004.6	9674.0500
630	600	24"	ANSI 150	20 x 36	58.5	9664.06304.6	9674.0630

Note 1: Consult gasket supplier for correct torque values.

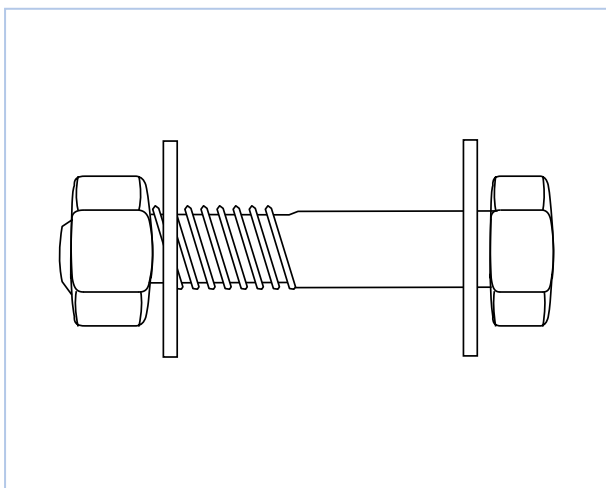
Note 2: Specialised stud bolt range available to order.



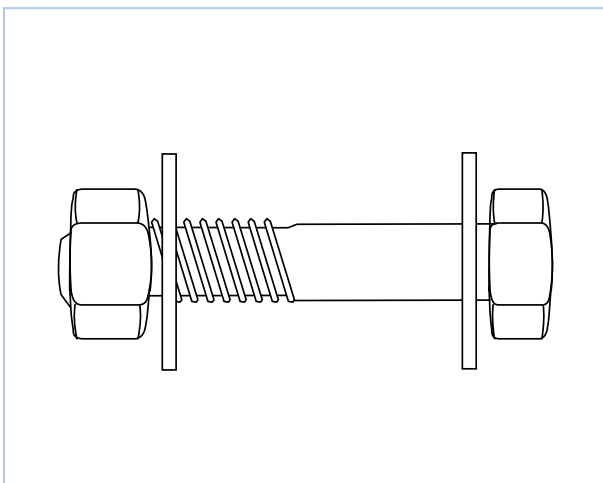
PE FLANGE SIZE	STEEL FLANGE (mm)	INCH SIZE	HOLE PATTERN	HOLE SIZE X NUMBER	MAX THICKNESS OF GASKET *	CODE GALVANISED 4.6M/S	CODE 316 STAINLESS STEEL
20	15	½"	ANSI 150	4 x 16	14.5	9669.00204.6	9679.0020
25	20	¾"	ANSI 150	4 x 16	10.5	9669.00254.6	9679.0025
32	25	1"	ANSI 150	4 x 16	6.5	9669.00324.6	9679.0032
40	32	1 ¼"	ANSI 150	4 x 16	12.5	9669.00404.6	9679.0040
50	40	1 ½"	ANSI 150	4 x 16	8.5	9669.00504.6	9679.0050
63	50	2"	ANSI 150	4 x 20	7	9669.00634.6	9679.0063
75	65	2 ½"	ANSI 150	4 x 20	13	9669.00754.6	9679.0075
90	80	3"	ANSI 150	4 x 20	9	9669.00904.6	9679.0090
110	100	4"	ANSI 150	8 x 20	13	9669.01104.6	9679.0110
125	125	5"	ANSI 150	8 x 22	13	9669.01254.6	9679.0125
140	125	5"	ANSI 150	8 x 22	13	9669.01404.6	9679.0140
160	150	6"	ANSI 150	8 x 22	7	9669.01604.6	9679.0160
180	150	6"	ANSI 150	8 x 22	7	9669.01804.6	9679.0180
200	200	8"	ANSI 150	8 x 22	9	9669.02004.6	9679.0200
225	200	8"	ANSI 150	8 x 22	9	9669.02254.6	9679.0225
250	250	10"	ANSI 150	12 x 26	10.5	9669.02504.6	9679.0250
280	250	10"	ANSI 150	12 x 26	10.5	9669.02804.6	9679.0280
315	300	12"	ANSI 150	12 x 26	14.5	9669.03154.6	9679.0315
355	350	14"	ANSI 150	12 x 30	14.5	9669.03554.6	9679.0355
400	400	16"	ANSI 150	16 x 30	6.5	9669.04004.6	9679.0400
450	450	18"	ANSI 150	16 x 33	9.5	9669.04504.6	9679.0450
500	500	20"	ANSI 150	20 x 33	13.5	9669.05004.6	9679.0500
630	600	24"	ANSI 150	20 x 36	10.5	9669.06304.6	9679.0630

Note 1: Consult gasket supplier for correct torque values.

Note 2: Specialised stud bolt range available to order.



PE FLANGE SIZE	STEEL FLANGE (mm)	INCH SIZE	HOLE PATTERN	HOLE SIZE X NUMBER	SDR11 PE TO STEEL FLANGE		SDR11 PE TO PE FLANGE	
					MAX THICKNESS OF FLANGE + GASKET	CODE 8.8 GALV GRADE STEEL	MAX THICKNESS OF FLANGE + GASKET	CODE 8.8 GALV GRADE STEEL
20	15	½"	ANSI 150	4 x 16	14.5	9664.00208.8	11.5	9669.00208.8
25	20	¾"	ANSI 150	4 x 16	12.5	9664.00258.8	7.5	9669.00258.8
32	25	1"	ANSI 150	4 x 16	10.5	9664.00328.8	3.5	9669.00328.8
40	32	1 ¼"	ANSI 150	4 x 16	18.5	9664.00408.8	9.5	9669.00408.8
50	40	1 ½"	ANSI 150	4 x 16	16.5	9664.00508.8	5.5	9669.00508.8
63	50	2"	ANSI 150	4 x 20	19	9664.00638.8	5	9669.00638.8
75	65	2.5"	ANSI 150	4 x 20	17	9664.00758.8	11	9669.00758.8
90	80	3"	ANSI 150	4 x 20	15	9664.00908.8	7	9669.00908.8
110	100	4"	ANSI 150	8 x 20	22	9664.01108.8	11	9669.01108.8
125	125	5"	ANSI 150	8 x 22	19	9664.01258.8	10	9669.01258.8
140	125	5"	ANSI 150	8 x 22	19	9664.01408.8	10	9669.01408.8
160	150	6"	ANSI 150	8 x 22	26	9664.01608.8	4	9669.01608.8
180	150	6"	ANSI 150	8 x 22	21	9664.01808.8	4	9669.01808.8
200	200	8"	ANSI 150	8 x 22	27	9664.02008.8	6	9669.02008.8
225	200	8"	ANSI 150	8 x 22	27	9664.02258.8	6	9669.02258.8
250	250	10"	ANSI 150	12 x 26	35	9664.02508.8	8	9669.02508.8
280	250	10"	ANSI 150	12 x 26	35	9664.02808.8	8	9669.02808.8
315	300	12"	ANSI 150	12 x 26	32	9664.03158.8	12	9669.03158.8
355	350	14"	ANSI 150	12 x 30	-	-	-	-
400	400	16"	ANSI 150	16 x 30	-	-	-	-
450	450	18"	ANSI 150	16 x 33	39	9664.04508.8	4	9669.04508.8
500	500	20"	ANSI 150	20 x 33	46	9664.05008.8	8	9669.05008.8
630	600	24"	ANSI 150	20 x 36	58.5	9664.06308.8	10.5	9669.06308.8

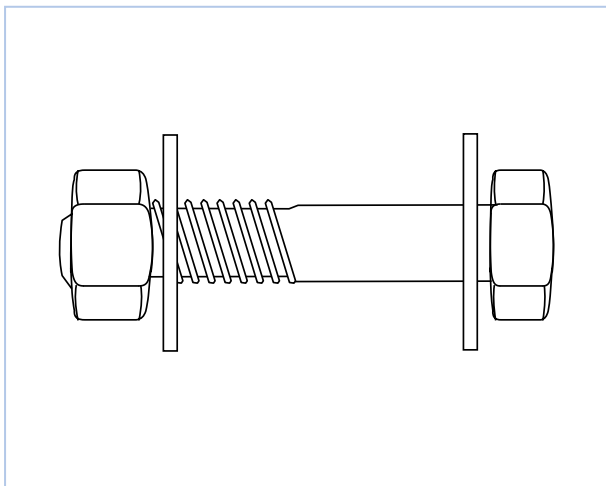




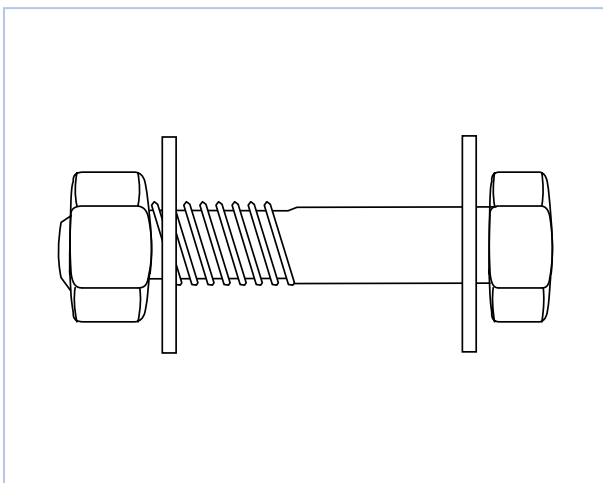
PE FLANGE SIZE	STEEL FLANGE (mm)	INCH SIZE	HOLE PATTERN	HOLE SIZE X NUMBER	MAX THICKNESS OF GASKET *	CODE GALVANISED 4.6M/S	CODE 316 STAINLESS STEEL
20	15	½"	ANSI 150	4 x 16	22.3	9665.00204.6	9675.0020
25	20	¾"	ANSI 150	4 x 16	18.7	9665.00254.6	9675.0025
32	25	1"	ANSI 150	4 x 16	26.3	9665.00324.6	9675.0032
40	32	1 ¼"	ANSI 150	4 x 16	23.8	9665.00404.6	9675.0040
50	40	1 ½"	ANSI 150	4 x 16	31	9665.00504.6	9675.0050
63	50	2"	ANSI 150	4 x 20	32	9665.00634.6	9675.0063
75	65	2½"	ANSI 150	4 x 20	36.7	9665.00754.6	9675.0075
90	80	3"	ANSI 150	4 x 20	34.1	9665.00904.6	9675.0090
110	100	4"	ANSI 150	8 x 20	33.1	9665.01104.6	9675.0110
125	125	5"	ANSI 150	8 x 22	32.1	9665.01254.6	9675.0125
140	125	5"	ANSI 150	8 x 22	32.1	9665.01404.6	9675.0140
160	150	6"	ANSI 150	8 x 22	30.6	9665.01604.6	9675.0160
180	150	6"	ANSI 150	8 x 22	35.6	9665.01804.6	9675.0180
200	200	8"	ANSI 150	8 x 22	40.6	9665.02004.6	9675.0200
225	200	8"	ANSI 150	8 x 22	40.6	9665.02254.6	9675.0225
250	250	10"	ANSI 150	12 x 26	39.3	9665.02504.6	9675.0250
280	250	10"	ANSI 150	12 x 26	39.3	9665.02804.6	9675.0280
315	300	12"	ANSI 150	12 x 26	37.7	9665.03154.6	9675.0315
355	350	14"	ANSI 150	12 x 30	47.5	9665.03554.6	9675.0355
400	400	16"	ANSI 150	16 x 30	49.9	9665.04004.6	9675.0400
450	450	18"	ANSI 150	16 x 33	49.9	9665.04504.6	9675.0450
500	500	20"	ANSI 150	20 x 33	56.5	9665.05004.6	9675.0500
630	600	24"	ANSI 150	20 x 36	58.7	9665.06304.6	9675.0630

Note 1: Consult gasket supplier for correct torque values.

Note 2: Specialised stud bolt range available to order.



PE FLANGE SIZE	STEEL FLANGE (mm)	INCH SIZE	HOLE PATTERN	HOLE SIZE X NUMBER	MAX THICKNESS OF GASKET *	CODE GALVANISED 4.6M/S	CODE 316 STAINLESS STEEL
20	15	½"	ANSI 150	4 x 16	14.1	9670.00204.6	9680.0020
25	20	¾"	ANSI 150	4 x 16	6.9	9670.00254.6	9680.0025
32	25	1"	ANSI 150	4 x 16	12.1	9670.00324.6	9680.0032
40	32	1 ¼"	ANSI 150	4 x 16	7.1	9670.00404.6	9680.0040
50	40	1 ½"	ANSI 150	4 x 16	11.5	9670.00504.6	9680.0050
63	50	2"	ANSI 150	4 x 20	9	9670.00634.6	9680.0063
75	65	2 ½"	ANSI 150	4 x 20	8.4	9670.00754.6	9680.0075
90	80	3"	ANSI 150	4 x 20	13.2	9670.00904.6	9680.0090
110	100	4"	ANSI 150	8 x 20	11.2	9670.01104.6	9680.0110
125	125	5"	ANSI 150	8 x 22	13.2	9670.01254.6	9680.0125
140	125	5"	ANSI 150	8 x 22	13.2	9670.01404.6	9680.0140
160	150	6"	ANSI 150	8 x 22	10.2	9670.01604.6	9680.0160
180	150	6"	ANSI 150	8 x 22	10.2	9670.01804.6	9680.0180
200	200	8"	ANSI 150	8 x 22	10.2	9670.02004.6	9680.0200
225	200	8"	ANSI 150	8 x 22	10.2	9670.02254.6	9680.0225
250	250	10"	ANSI 150	12 x 26	14.1	9670.02504.6	9680.0250
280	250	10"	ANSI 150	12 x 26	14.1	9670.02804.6	9680.0280
315	300	12"	ANSI 150	12 x 26	10.9	9670.03154.6	9680.0315
355	350	14"	ANSI 150	12 x 30	12.5	9670.03554.6	9680.0355
400	400	16"	ANSI 150	16 x 30	7.3	9670.04004.6	9680.0400
450	450	18"	ANSI 150	16 x 33	10.3	9670.04504.6	9680.0450
500	500	20"	ANSI 150	20 x 33	13.5	9670.05004.6	9680.0500
630	600	24"	ANSI 150	20 x 36	10.9	9670.06304.6	9680.0630



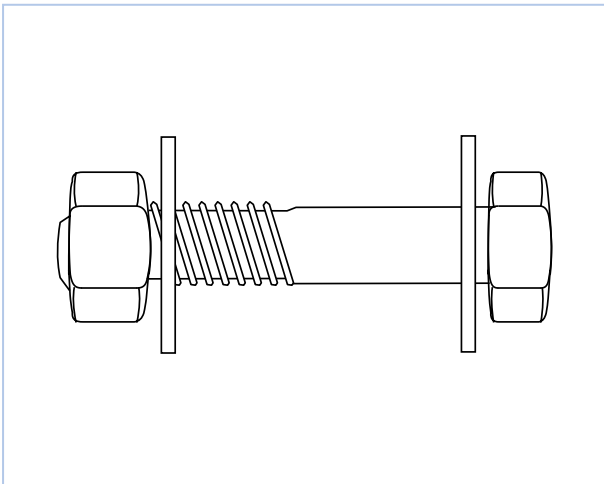
SDR11 PE TO STEEL FLANGE

SDR11 PE TO PE FLANGE

PE FLANGE SIZE	STEEL FLANGE (mm)	INCH SIZE	HOLE PATTERN	HOLE SIZE X NUMBER	MAX THICKNESS OF FLANGE + GASKET	CODE 8.8 GALV GRADE STEEL	MAX THICKNESS OF GASKET	CODE 8.8 GALV GRADE STEEL
20	15	½"	ANSI 150	4 x 16	19.3	9665.00208.8	11.1	9670.00208.8
25	20	¾"	ANSI 150	4 x 16	15.7	9665.00258.8	3.9	9670.00258.8
32	25	1"	ANSI 150	4 x 16	23.3	9665.00328.8	9.1	9670.00328.8
40	32	1 ¼"	ANSI 150	4 x 16	20.8	9665.00408.8	4.1	9670.00408.8
50	40	1 ½"	ANSI 150	4 x 16	28	9665.00508.8	8.5	9670.00508.8
63	50	2"	ANSI 150	4 x 20	30	9665.00638.8	7	9670.00638.8
75	65	2.5"	ANSI 150	4 x 20	34.7	9665.00758.8	6.4	9670.00758.8
90	80	3"	ANSI 150	4 x 20	32.1	9665.00908.8	11.2	9670.00908.8
110	100	4"	ANSI 150	8 x 20	31.1	9665.01108.8	9.2	9670.01108.8
125	125	5"	ANSI 150	8 x 22	29.1	9665.01258.8	10.2	9670.01258.8
140	125	5"	ANSI 150	8 x 22	29.1	9665.01408.8	10.2	9670.01408.8
160	150	6"	ANSI 150	8 x 22	27.6	9665.01608.8	7.2	9670.01608.8
180	150	6"	ANSI 150	8 x 22	32.6	9665.01808.8	7.2	9670.01808.8
200	200	8"	ANSI 150	8 x 22	37.6	9665.02008.8	7.2	9670.02008.8
225	200	8"	ANSI 150	8 x 22	37.6	9665.02258.8	7.2	9670.02258.8
250	250	10"	ANSI 150	12 x 26	36.8	9665.02508.8	11.6	9670.02508.8
280	250	10"	ANSI 150	12 x 26	36.8	9665.02808.8	11.6	9670.02808.8
315	300	12"	ANSI 150	12 x 26	35.2	9665.03158.8	8.4	9670.03158.8
355	350	14"	ANSI 150	12 x 30	-	-	-	-
400	400	16"	ANSI 150	16 x 30	-	-	-	-
450	450	18"	ANSI 150	16 x 33	44.4	9665.04508.8	4.8	9670.04508.8
500	500	20"	ANSI 150	20 x 33	51	9665.05008.8	8	9670.05008.8

Note 1: Consult gasket supplier for correct torque values.

Note 2: Specialised stud bolt range available to order.





EPC Rubber Flange Gasket

## FLANGE RING GASKETS - KC6327 2 mm FIBRE

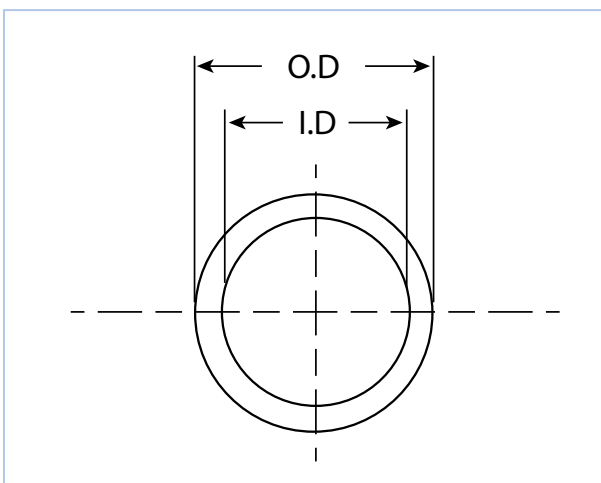
KC6327 is a gasket material based on SBR-bound aramid fibres and inorganic fibres. Its key feature is a relative softness and high compressibility which enables sealing under lower bolt loads than most other fibre gaskets.

Following the correct flange installation procedure and using the correct bolt torques is critical to long term flange joint integrity. Contact us for more information and a copy of our Flange Joint Installation Guidelines.

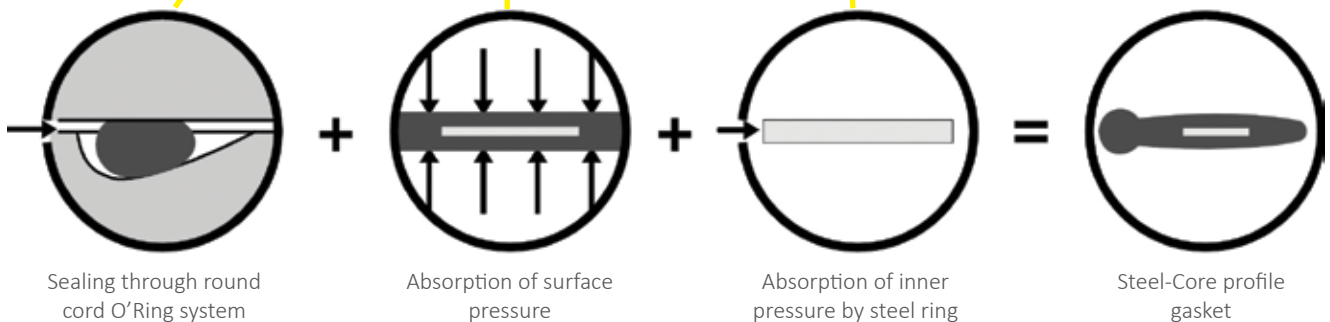
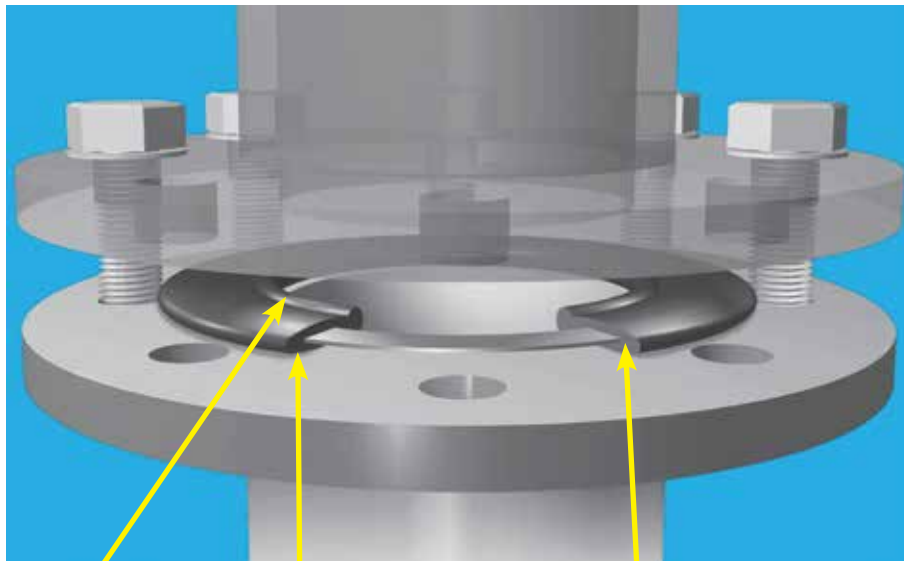
Looking for flange gaskets made to your specifications? Please contact us as we supply a wide variety of fibre and rubber gaskets to order.

SIZE (mm)	NOMINAL FLANGE SIZE	SDR	CODE (9658)
25	20	11/17	9658.0025
32	25	11/17	9658.0032
40	32	11/17	9658.0040
50	40	11/17	9658.0050
63	50	11/17	9658.0063
75	65	11/17	9658.0075
90	80	11/17	9658.0090
110	100	11	9658.0110.11
125	125	17	9658.0125.17
160	150	11	9658.0160.11
180	150	17	9658.0180.17
200	200	11/17	9658.0200
225	200	11/17	9658.0225
250	250	11/17	9658.0250
280	250	11/17	9658.0280
315	300	11/17	9658.0315
355	350	11/17	9658.0355
400	400	11/17	9658.0400
450	450	11/17	9658.0450
500	500	11/17	9658.0500
560	560	11/17	9658.0560
630	600	11/17	9658.0630

Note: other SDR's and custom sizes available on request.



# STEEL-CORE RUBBER FLANGE GASKET



## STEEL-CORE PROFILE™ RUBBER FLANGE GASKET

Tired of battling with leaking gaskets, flange misalignments and time consuming torquing and re-torquing procedures?

Get the job done quicker and eliminate leaks with the revolutionary Steel-Core™ Profile rubber gaskets!

These rubber gaskets are reinforced with the Steel-Core™ ring, which makes them rigid and prevents extrusion/ leaks under higher pressures which is a problem with plain rubber gaskets. They also have a special O-ring profile which increases sealing performance dramatically, effectively two sealing mechanisms in one gasket.

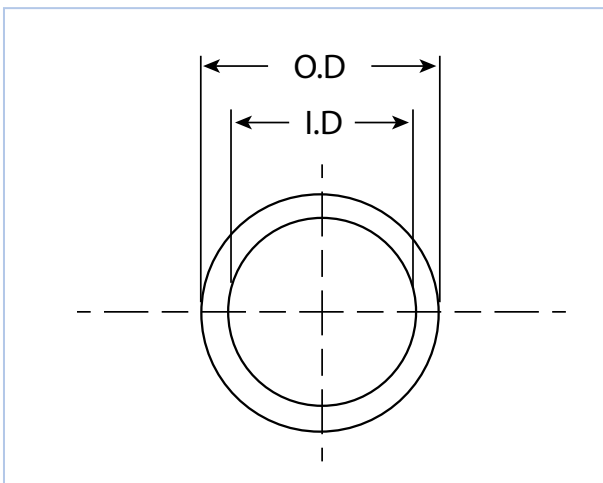


FOR MORE  
INFORMATION  
CALL US NOW ON  
1300 270 270

SIZE (mm)	CODE (9584)	SIZE (mm)	CODE (9584)
16	9584.0016	140	9584.0140
20	9584.0020	160	9584.0160
25	9584.0025	200	9584.0200
32	9584.0032	225	9584.0225
40	9584.0040	250	9584.0250
50	9584.0050	250	9584.0250
63	9584.0063	280	9584.0280
75	9584.0075	315	9584.0315
90	9584.0090	355	9584.0355
110	9584.0110	400	9584.0400
125	9584.0125		

## KEY BENEFITS:

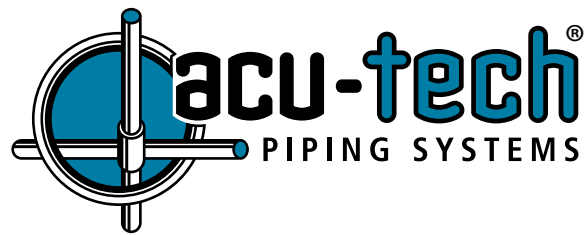
- Effective sealing under low bolt torque loads.
- Compensation of small surface imperfections.
- Flange face misalignment is more easily compensated than flat gaskets, especially fibre types.
- Seal maintained even with a small degree of flange movement.
- Higher durability of plastic flange joints due to lower torques helping to prevent distortion.
- Lower tensile grade fasteners required, providing cost savings.
- Steel-Core ring is vulcanised within the centre of the gasket, preventing corrosion.
- Will withstand pressures of up to 4,000 kPa (at 20°C) depending on flange.
- Made in Germany.



# SPIGOT FITTINGS

Acu-Tech offers an extensive range of high quality PE100 Spigot Fittings sourced from leading European manufacturers. We hold a large inventory to ensure your project is delivered on time. For more information call us now on 1300 270 270





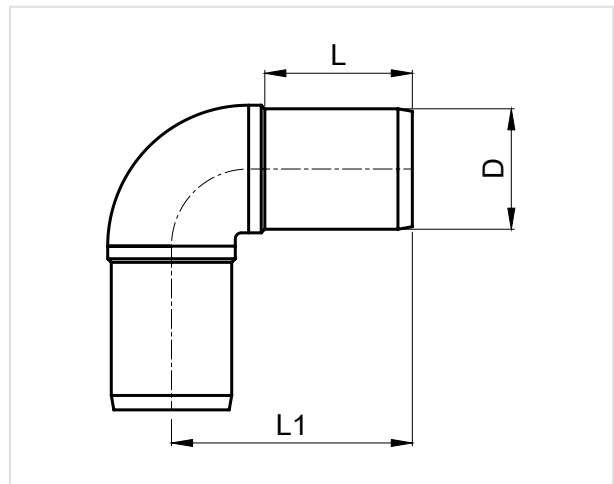
90° Spigot Elbow_____	64	Concentric Reducer_____	71
45° Spigot Elbow_____	65	Spigot End Cap_____	72
30° Spigot Elbow_____	66	Spigot Test End Cap_____	73
90° Long Spigot Radius Bend_____	67	Brass Male Threaded Adaptor_____	74
Spigot Equal Tee_____	68	Brass Female Threaded Adaptor_____	75
Spigot Reducing Tee_____	69	PE Male BSP Adaptor_____	76
45° Spigot Equal Tee_____	70	PE Female BSP Adaptor_____	77

# 90° SPIGOT ELBOW (3054 / 3056)

PE100 • SDR11 • SDR17

SIZE (mm)	CODE SDR11 (3054)	CODE SDR17 (3056)	L (mm)	L1 (mm)	BOX
20	3054.0020	-	41	63	1
25	3054.0025	-	41	63	1
32	3054.0032	-	44	72	1
40	3054.0040	-	49	80	1
50	3054.0050	-	55	95	1
63	3054.0063	3056.0063	63	115	1
75	3054.0075	3056.0075	70	130	1
90	3054.0090	3056.0090	79	147	1
110	3054.0110	3056.0110	82	161	1
125	3054.0125	3056.0125	87	174	1
140	3054.0140	3056.0140	92	202	1
160	3054.0160	3056.0160	98	208	1
180	3054.0180	3056.0180	105	222	1
200	3054.0200	3056.0200	112	253	1
225	3054.0225	3056.0225	120	270	1
250	3054.0250	3056.0250	129	292	1
280	3054.0280	3056.0280	139	340	1
315	3054.0315	3056.0315	150	370	1
355	3054.0355	3056.0355	172	421	1
400	3054.0400	3056.0400	187	469	1
450	3054.0450	3056.0450	202	522	1
500	3054.0500	3056.0500	222	576	1

Note: Larger sizes available on request



64

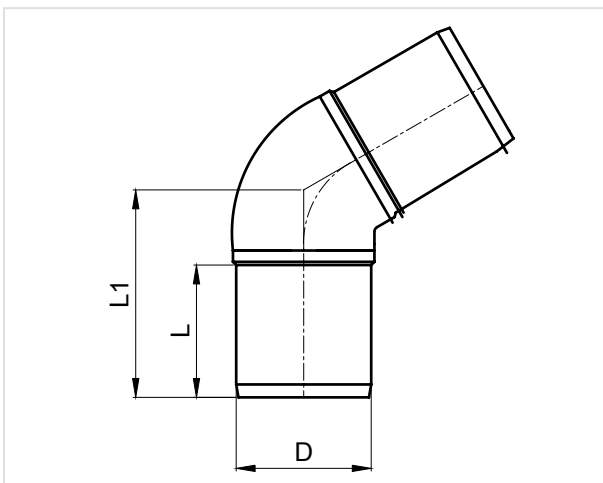


# 45° SPIGOT ELBOW (3104 / 3106)

PE100 • SDR11 • SDR17

SIZE (mm)	CODE SDR11 (3104)	CODE SDR17 (3106)	L (mm)	L1 (mm)	BOX
20	3104.0020	-	41	70	1
25	3104.0025	-	41	75	1
32	3104.0032	-	44	80	1
40	3104.0040	-	49	85	1
50	3104.0050	-	55	90	1
63	3104.0063	3106.0063	63	95	1
75	3104.0075	3106.0075	70	105	1
90	3104.0090	3106.0090	79	120	1
110	3104.0110	3106.0110	82	130	1
125	3104.0125	3106.0125	87	140	1
140	3104.0140	3106.0140	92	150	1
160	3104.0160	3106.0160	98	160	1
180	3104.0180	3106.0180	105	170	1
200	3104.0200	3106.0200	112	185	1
225	3104.0225	3106.0225	120	200	1
250	3104.0250	3106.0250	129	217	1
280	3104.0280	3106.0280	139	238	1
315	3104.0315	3106.0315	150	256	1
355	3104.0355	3106.0355	172	317	1
400	3104.0400	3106.0400	187	346	1
450	3104.0450	3106.0450	202	375	1
500	3104.0500	3106.0500	222	409	1

Note: Larger sizes available on request



65



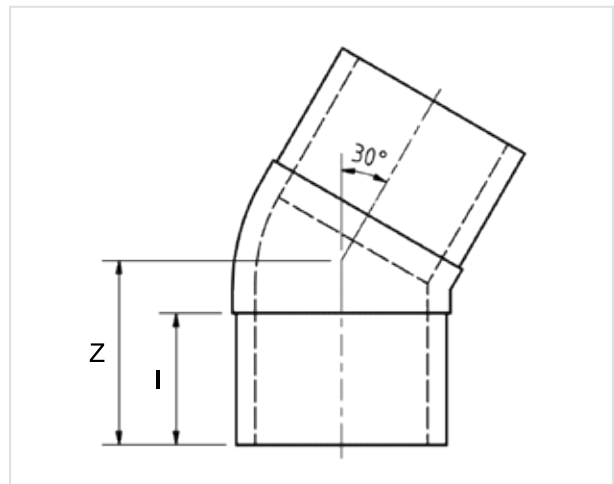
# 30° SPIGOT ELBOW (3114 / 3116)

PE100 • SDR11 • SDR17

SIZE (mm)	CODE SDR11 (3114)	CODE SDR17 (3116)	I (mm)	Z (mm)
75	3114.0075	3116.0075	77	103
90	3114.0090	3116.0090	85	110
110	3114.0110	3116.0110	95	130
125	3114.0125	3116.0125	100	142
140	3114.0140	3116.0140	103	144
160	3114.0160	3116.0160	116	155
180	3114.0180	3116.0180	120	165
200	3114.0200	3116.0200	125	175
225	3114.0225	3116.0225	133	188

Note: 30° spigot elbows are all custom made to order, due to very low demand.

66

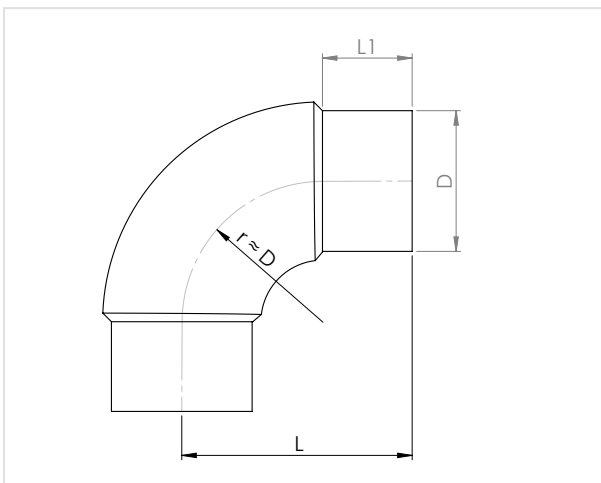


# 90° LONG SPIGOT RADIUS BEND (3754 / 3756)

PE100 • SDR11 • SDR17

D (mm)	CODE SDR11 (3754)	L (mm)	L1 (mm)	BOX
32	3754.0032	79	48	5
40	3754.0040	92	52	2
50	3754.0050	107	59	1
63	3754.0063	131	69	4
75	3754.0075	153	76	16
90	3754.0090	176	83	10
110	3754.0110	193	84	6
125	3754.0125	216	92	4
140	3754.0140	237	96	5
160	3754.0160	262	103	4
180	3754.0180	294	115	6
200	3754.0200	317	122	4
225	3754.0225	351	131	2
250	3754.0250	382	133	2
280	3754.0280	432	153	1
315	3754.0315	471	154	1

D (mm)	CODE SDR17 (3756)	L (mm)	L1 (mm)	BOX
50	3756.60050	108	59	1
63	3756.60063	130	67	4
75	3756.60075	152	76	16
90	3756.60090	173	83	10
110	3756.60110	193	85	6
125	3756.60125	216	92	4
140	3756.60140	237	97	5
160	3756.60160	260	102	4
180	3756.60180	290	113	6
200	3756.60200	317	122	4
225	3756.60225	350	130	2
250	3756.60250	382	134	2
280	3756.60280	430	154	1
315	3756.60315	465	153	1



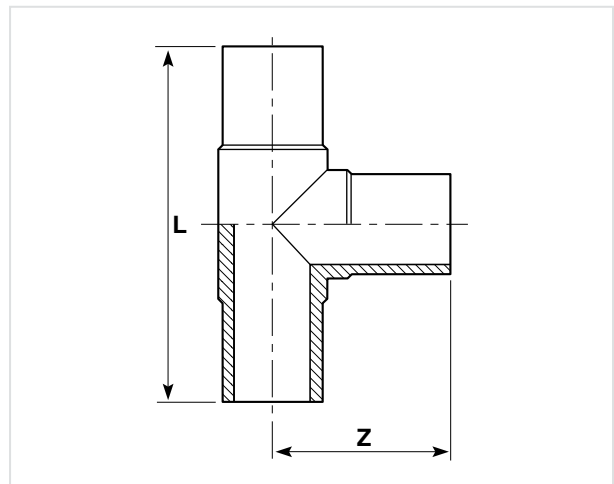
# SPIGOT EQUAL TEE (3154 / 3156)

PE100 • SDR11 • SDR17

SIZE (mm)	CODE SDR11 (3154)	CODE SDR17 (3156)	L (mm)	Z (mm)	BOX
20	3154.0020	-	107	55	1
25	3154.0025	-	117	59	1
32	3154.0032	-	144	71	1
40	3154.0040	-	168	84	1
50	3154.0050	-	189	95	1
63	3154.0063	3156.0063	224	112	1
75	3154.0075	3156.0075	260	128	1
90	3154.0090	3156.0090	286	143	1
110	3154.0110	3156.0110	317	158	1
125	3154.0125	3156.0125	346	172	1
140	3154.0140	3156.0140	380	190	1
160	3154.0160	3156.0160	408	203	1
180	3154.0180	3156.0180	521	260	1
200	3154.0200	3156.0200	550	275	1
225	3154.0225	3156.0225	548	271	1
250	3154.0250	3156.0250	622	310	1
280	3154.0280	3156.0280	694	347	1
315	3154.0315	3156.0315	752	375	1
355	3154.0355	3156.0355	820	410	1
400	3154.0400	3156.0400	952	476	1
450	3154.0450	3156.0450			1
500	3154.0500	3156.0500	1044	522	1

Note: Larger sizes available on request

68



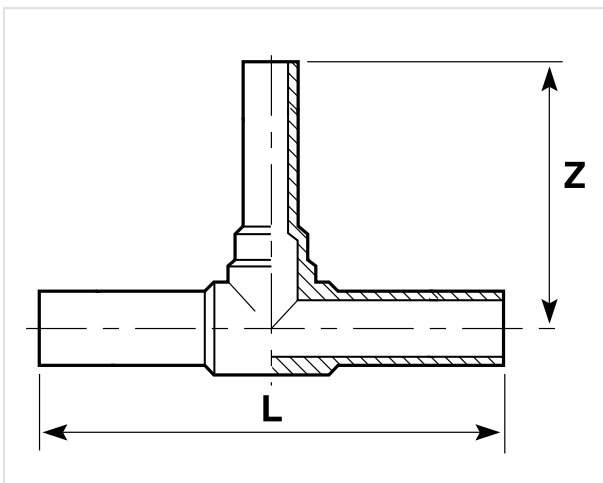
# SPIGOT REDUCING TEE (3164 / 3166)

PE100 • SDR11 • SDR17

SIZE 1 (mm)	SIZE 2 (mm)	L (mm)	Z (mm)	BOX QTY	CODE SDR11 (3164)	CODE SDR17 (3166)
63	x 32	228	91	1	3164.6332	3166.6332
63	x 40	232	106	1	3164.6340	3166.6340
63	x 50	213	100	1	3164.6350	3166.6350
75	x 50	253	113	1	3164.7550	3166.7550
75	x 63	252	117	1	3164.7563	3166.7563
90	x 63	264	134	1	3164.9063	3166.9063
90	x 75	272	138	1	3164.9075	3166.9075
110	x 63	305	154	1	3164.1163	3166.1163
110	x 75	305	148	1	3164.1175	3166.1175
110	x 90	310	155	1	3164.1190	3166.1190
125	x 90	340	170	1	3164.1290	3166.1290
125	x 110	340	172	1	3164.1211	3166.1211
160	x 90	343	177	1	3164.1690	3166.1690
160	x 110	390	194	1	3164.1611	3166.1611
180	x 110	455	220	1	3164.1811	3166.1811
180	x 160	412	204	1	3164.1816	3166.1816
200	x 63	550	225	1	3164.2063	3166.2063
200	x 110	550	240	1	3164.2011	3166.2011

SIZE 1 (mm)	SIZE 2 (mm)	L (mm)	Z (mm)	BOX QTY	CODE SDR11 (3164)	CODE SDR17 (3166)
200	x 125	550	240	1	3164.2012	3166.2012
200	x 160	550	265	1	3164.2016	3166.2016
225	x 160	490	246	1	3164.2216	3166.2216
225	x 180	552	246	1	3164.2218	3166.2218
250	x 160	440	315	1	3164.2516	3166.2516
250	x 180	622	525	1	3164.2518	3166.2518
250	x 200	622	525	1	3164.2521	3166.2521
315	x 160	575	310	1	3164.3116	3166.3116
315	x 180	752	600	1	3164.3118	3166.3118
315	x 200	752	600	1	3164.3120	3166.3120
315	x 225	638	335	1	3164.3122	3166.3122
315	x 250	670	333	1	3164.3125	3166.3125

Note: Larger sizes available on request





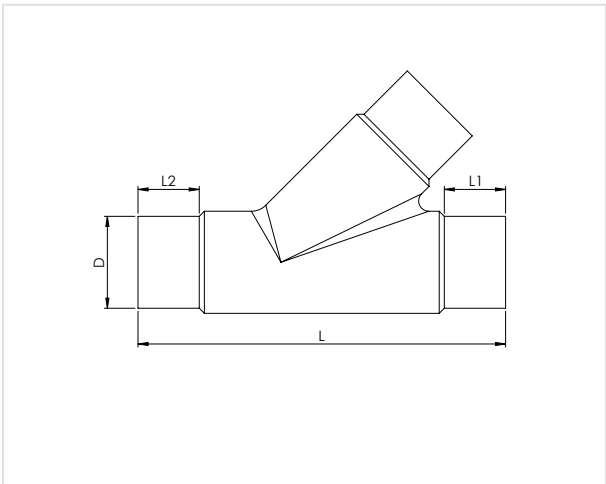
# 45° SPIGOT EQUAL TEE (3694 / 3696)

PE100 • SDR11 • SDR17

SIZE (mm)	CODE SDR11	CODE SDR17	Z (mm)	Z <sup>1</sup> (mm)	Z <sup>2</sup> (mm)	l (mm)	l <sub>1</sub> (mm)
40	3694.0040	3696.0040	75	75	32	187	45
50	3694.0050	3696.0050	90	90	35	220	55
63	3694.0063	3696.0063	95	95	23	245	63
75	3694.0075	3696.0075	103	101	37	290	75
90	3694.0090	3696.0090	148	148	51	370	85
110	3694.0110	3696.0110	164	164	66	400	65
125	3694.0125	3696.0125	182	185	45	448	108
160	3694.0160	3696.0160	245	245	68	540	112
180	3694.0180	3696.0180	265	265	78	582	120
200	3694.0200	3696.0200	275	286	94	632	125
225	3694.0225	3696.0225	333	350	85	700	130

Note: These fittings are fully pressure rated as they are injection moulded  
Fittings are available up to 315 mm.

70



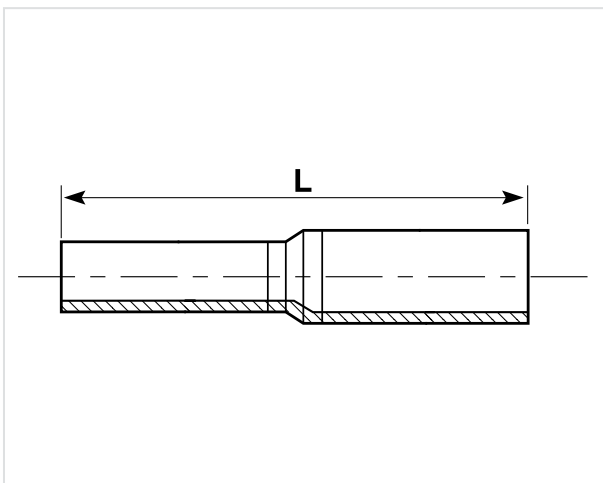
# CONCENTRIC SPIGOT REDUCER (3034 / 3036)

PE100 • SDR11 • SDR17

SIZE (mm)	CODE SDR11 (3034)	CODE SDR17 (3036)	L (mm)	Box QTY
25 x 20	3034.2520	-	87	1
32 x 20	3034.3220	-	92	1
32 x 25	3034.3225	-	92	1
40 x 20	3034.4020	-	102	1
40 x 25	3034.4025	-	102	1
40 x 32	3034.4032	-	102	1
50 x 25	3034.5025	-	118	1
50 x 32	3034.5032	-	118	1
50 x 40	3034.5040	-	126	1
63 x 32	3034.6332	-	136	1
63 x 40	3034.6340	-	128	1
63 x 50	3034.6350	-	150	1
75 x 50	3034.7550	-	148	1
75 x 63	3034.7563	3036.7563	149	1
90 x 63	3034.9063	3036.9063	157	1
90 x 75	3034.9075	3036.9075	163	1
110 x 63	3034.1163	3036.1163	180	1
110 x 75	3034.1175	3036.1175	177	1
110 x 90	3034.1190	3036.1190	187	1

SIZE (mm)	CODE SDR11 (3034)	CODE SDR17 (3036)	L (mm)	Box QTY
125 x 63	3034.1263	3036.1263	190	1
125 x 110	3034.1211	3036.1211	211	1
160 x 90	3034.1690	3036.1690	217	1
160 x 110	3034.1611	3036.1611	222	1
160 x 125	3034.1612	3036.1612	228	1
160 x 140	3034.1614	3036.1614	229	1
180 x 125	3034.1812	3036.1812	272	1
180 x 160	3034.1816	3036.1816	276	1
200 x 160	3034.2016	3036.2016	252	1
225 x 160	3034.2216	3036.2216	270	1
225 x 180	3034.2218	3036.2218	290	1
250 x 160	3034.2516	3036.2516	314	1
250 x 200	3034.2521	3036.2521	314	1
250 x 225	3034.2522	3036.2522	315	1
280 x 250	3034.2825	3036.2825	355	1
315 x 200	3034.3120	3036.3120	375	1
315 x 225	3034.3122	3036.3122	375	1
315 x 250	3034.3125	3036.3125	375	1
315 x 280	3034.3128	3036.3128	365	1

Note: Non-standard Reducers fabricated to order.

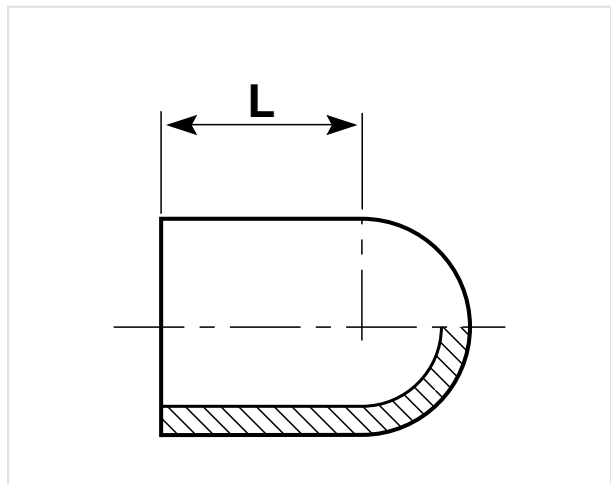


# SPIGOT END CAP (3274 / 3276)

PE100 • SDR11 • SDR17

SIZE (mm)	CODE SDR11 (3274)	CODE SDR17 (3276)	L (mm)	BOX QTY
20	3274.0020	-	45	1
25	3274.0025	-	48	1
32	3274.0032	-	54	1
40	3274.0040	-	61	1
50	3274.0050	-	71	1
63	3274.0063	3276.0063	84	1
75	3274.0075	3276.0075	91	1
90	3274.0090	3276.0090	107	1
110	3274.0110	3276.0110	133	1
125	3274.0125	3276.0125	132	1
140	3274.0140	3276.0140	144	1
160	3274.0160	3276.0160	168	1
180	3274.0180	3276.0180	192	1
200	3274.0200	3276.0200	182	1
225	3274.0225	3276.0225	212	1
250	3274.0250	3276.0250	230	1
280	3274.0280	3276.0280	257	1
315	3274.0315	3276.0315	262	1

72



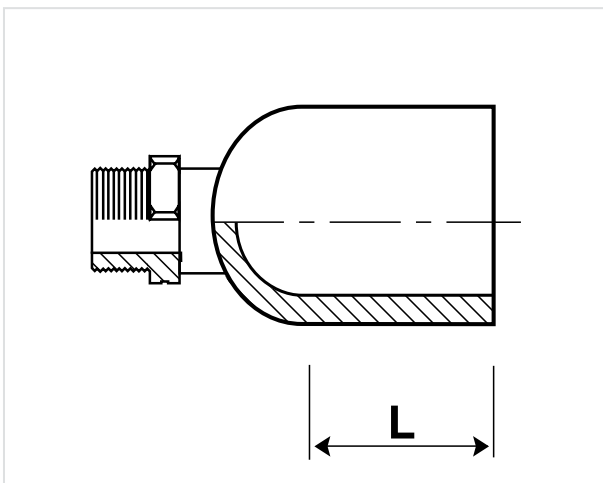
# SPIGOT TEST END CAP (3284 / 3286)

PE100 • SDR11 • SDR17

SIZE (mm)	CODE SDR11 (3284)	CODE SDR17 (3286)	L (mm)	BOX QTY
63	3284.6325	3286.6325	84	1
75	3284.7525	3286.7525	91	1
90	3284.9025	3286.9025	107	1
110	3284.1125	3286.1125	133	1
125	3284.1225	3286.1225	132	1
140	3284.1425	3286.1425	144	1
160	3284.1625	3286.1625	168	1
180	3284.1825	3286.1825	192	1
200	3284.2025	3286.2025	182	1
225	3284.2225	3286.2225	212	1
250	3284.2525	3286.2525	230	1
280	3284.2825	3286.2825	257	1
315	3284.3125	3286.3125	262	1

Note: The test end cap has a 1" thread size.

Do you need a size that is not listed here? We can fabricate to your specifications, please call us on 1300 270 270 for more details.



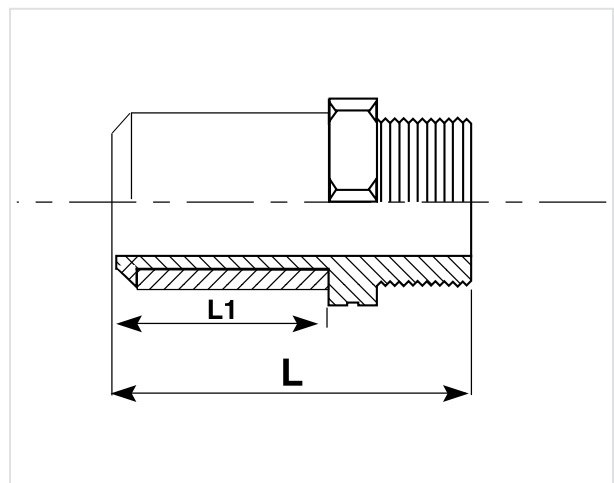
# PE / BRASS MALE THREADED ADAPTOR (2334)

PE100 • SDR11 • PN16 WATER • 1000KPA GAS

SIZE (mm)	BSP THREAD SIZE INCH	BSP THREAD SIZE (mm)	PRODUCT CODE	L (mm)	L1 (mm)	BOX QTY
20	x ½"	15	2334.2015	96	41	100
25	x ¾"	20	2334.2520	95	38	100
32	x 1"	25	2334.3225	108	38	50
40	x 1¼"	32	2334.4032	122	44	27
50	x 1½"	40	2334.5040	125	44	27
63	x 2"	50	2334.6350	143	49	10
75	x 2½"	65	2334.7565	159	61	8
90	x 3"	80	2334.9080	178	60	5
110	x 4"	100	2334.1110	203	70	3

Looking for PE / Stainless Steel threaded fittings?  
Call us now on 1300 270 270

74

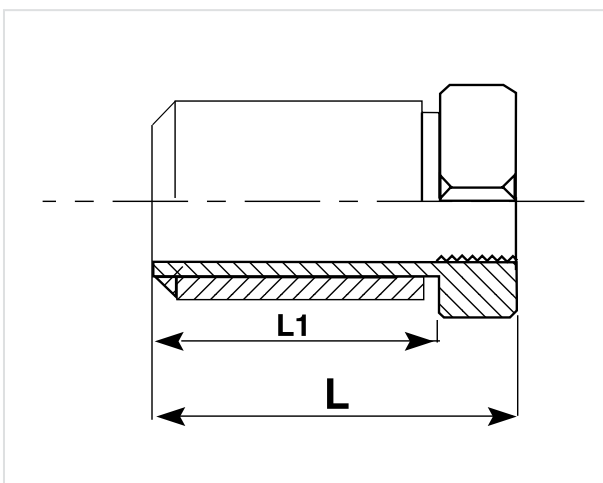


# PE / BRASS FEMALE THREADED INSERT (2344)

PE100 · SDR11 · PN16 WATER · 1000KPA GAS

SIZE (mm)	BSP THREAD SIZE INCH	BSP THREAD SIZE (mm)	PRODUCT CODE	L (mm)	L1 (mm)	BOX QTY
20	x ½"	15	2344.2015	79	41	150
25	x ¾"	20	2344.2520	80	38	100
32	x 1"	25	2344.3225	90	38	50
40	x 1¼"	32	2344.4032	100	44	36
50	x 1½"	40	2344.5040	103	44	27
63	x 2"	50	2344.6350	121	49	10
75	x 2½"	65	2344.7565	136	61	8
90	x 3"	80	2344.9080	149	60	5
110	x 4"	100	2344.1110	166	70	3

Looking for PE / Stainless Steel threaded fittings?  
Call us now on 1300 270 270



75

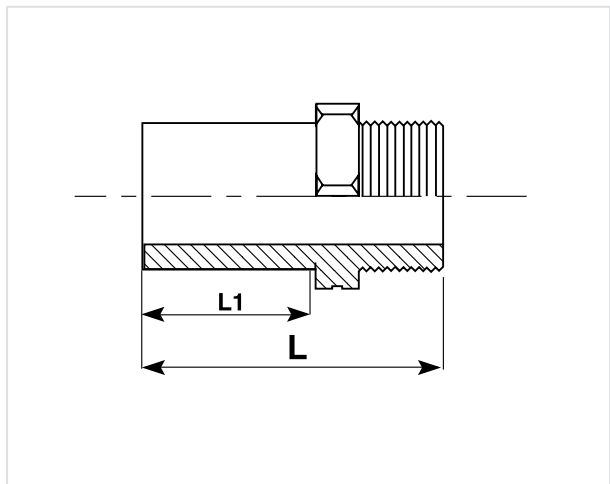


# PE MALE BSP THREADED ADAPTOR (2354)

PE100 • SDR11-SDR17

SIZE (mm)	BSP THREAD SIZE INCH	BSP THREAD SIZE (mm)	PRODUCT CODE	L (mm)	L1 (mm)	BOX QTY
20	x ½"	15	2354.2015	95	38	100
25	x ¾"	20	2354.2520	95	38	100
32	x 1"	25	2354.3225	108	38	50
40	x 1¼"	32	2354.4032	122	44	27
40	x 1½"	40	2354.4040	122	44	27
50	x 1½"	40	2354.5040	125	44	27
63	x 2"	50	2354.6350	143	49	10
75	x 2½"	65	2354.7565	159	61	8
90	x 3"	80	2354.9080	178	60	5
110	x 4"	100	2354.1110	203	70	3
125	x 4"	100	2354.1110	172	92	3

76

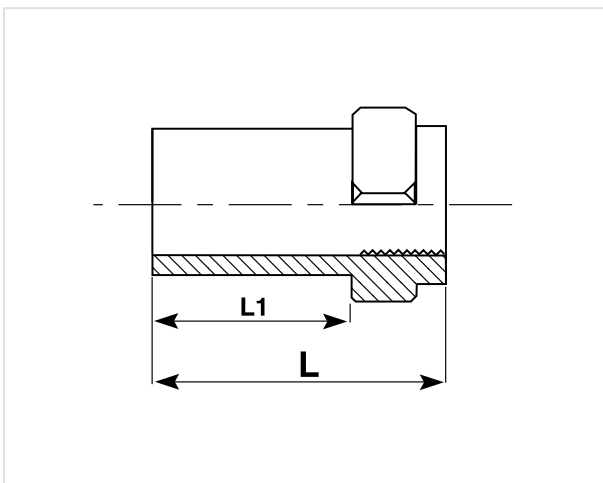




# PE FEMALE BSP THREADED ADAPTOR (2364)

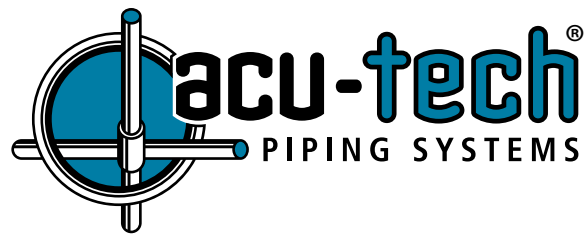
PE100 • SDR11-SDR17

SIZE (mm)	BSP THREAD SIZE INCH	BSP THREAD SIZE (mm)	PRODUCT CODE	L (mm)	L1 (mm)	BOX QTY
20	x ½"	15	2364.2015	80	38	100
25	x ¾"	20	2364.2520	80	38	100
32	x 1"	25	2364.3225	90	38	50
40	x 1¼"	32	2364.4032	100	44	36
40	x 1½"	40	2364.4040	100	44	36
50	x 1½"	40	2364.5040	103	44	27
63	x 2"	50	2364.6350	121	49	10
75	x 2½"	65	2364.7565	136	61	8
90	x 3"	80	2364.9080	149	60	5
110	x 4"	100	2364.1110	166	70	3



# ELECTROFUSION FITTINGS

The Acu-Tech Electrofusion System is easy to use and offers high performance with a rapid, convenient method of joining polyethylene pipes. Precise positioning of the energising coils of wire in each fitting ensures uniform melting for a strong joint and the minimisation of welding and cooling time. For more information call us now on 1300 270 270



EF Coupler_____	80
EF Reducer_____	81
EF 90° Elbow_____	82
EF 45° Elbow_____	83
EF Equal Tee_____	84
EF Reducing Tee_____	85
EF Tapping Saddle_____	86
EF Branch Saddle_____	87
EF End Cap_____	88
EF Test End Cap with Brass Male BSP Thread_____	89

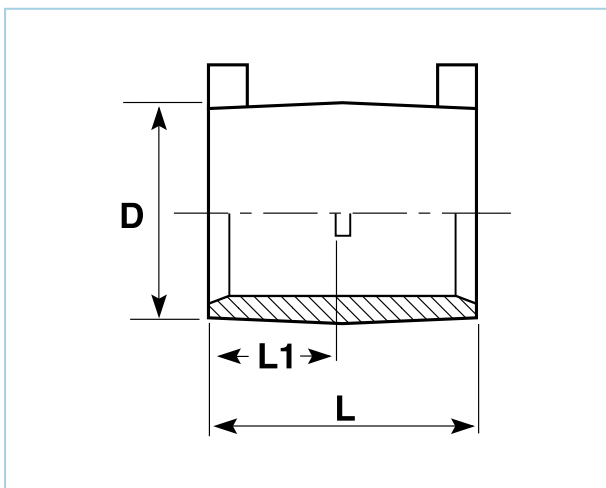
# ELECTROFUSION COUPLER (2014 / 2016)

PE100 • SDR11-SDR17 • PN16 WATER • 1000KPA GAS

SIZE (mm)	CODE SDR11 (2014)	CODE SDR17 (2016)	L (mm)	L1 (mm)	D (mm)	D1 (mm)	BOX (QTY)
20	2014.0020	-	77	38	29	20	100
25	2014.0025	-	77	38	34	25	100
32	2014.0032	-	77	38	43	32	80
40	2014.0040	-	90	44	52	40	100
50	2014.0050	-	91	44	62	50	70
63	2014.0063	-	102	49	77	63	30
75	2014.0075	-	120	59	92	75	45
90	2014.0090	-	122	60	110	90	30
110	2014.0110	-	144	70	133	110	14
125	2014.0125	-	154	75	151	125	12
140	2014.0140	-	165	79	172	140	6
160	2014.0160	-	175	86	195	160	4
180	2014.0180	-	185	91	220	180	4
200	2014.0200	-	186	92	243	200	4
225	2014.0225	-	222	111	270	225	2
250	2014.0250	-	222	111	300	250	2
280	2014.0280	-	260	130	335	280	1
315	2014.0315	-	260	130	377	315	1
355	2014.0355	2016.0355	265	133	425 (431)	355	1
400	2014.0400	2016.0400	290	145	478 (485)	400	1
450	2014.0450	2016.0450	320	160	522 (560)	450	1
500	2014.0500	2016.0500	360	180	621 (579)	500	1
560	2014.0560	2016.0560	390	195	694 (644)	560	1
630	2014.0630	2016.0630	430	215	780 (723)	630	1

NOTE: SDR17 couplers are rated to Water PN10 - Gas PN6.  
Large Couplers for 710 mm to 1200 mm are available on request.

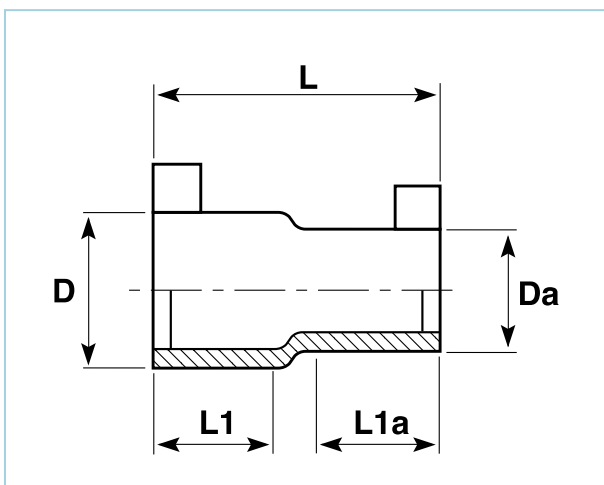
80



# ELECTROFUSION REDUCER (2034 / 2036)

PE100 • SDR11-SDR17 • PN16 WATER • 1000KPA GAS

SIZE (mm)	PRODUCT CODE	L (mm)	L1 (mm)	D (mm)	D1 (mm)	L2 (mm)	D2 (mm)	D3 (mm)	BOX QTY
25 x 20	2034.2520	77	38.5	34	25	36.5	29	20	100
32 x 20	2034.3220	77	38.5	43	32	36.5	29	20	100
32 x 25	2034.3225	77	38.5	43	32	37	34	25	80
40 x 32	2034.4032	91	46	52	40	43	44	32	100
50 x 32	2034.5032	91	46.5	62	50	41	44	32	80
50 x 40	2034.5040	91	46	62	50	43	52	40	80
63 x 32	2034.6332	102	52	78	63	44	44	32	60
63 x 40	2034.6340	102	52	78	63	45	52	40	60
63 x 50	2034.6350	102	52	78	63	48	62	50	60
75 x 63	2034.7563	126	61	98	75	57	82	63	24
90 x 63	2034.9063	122.5	61	109.5	90	55	79	63	35
90 x 75	2034.9075	156	79	117	90	61	100	75	20
110 x 63	2034.1163	136.5	75	140	110	54	98	63	18
110 x 90	2034.1190	137	68	134	110	62	112	90	20
125 x 90	2034.1290	145	75	152	125	62.5	112	90	12
160 x 90	2034.1690	175	101	187	160	68	116	90	6
160 x 110	2034.1611	184	89	200	160	73	140	110	6
180 x 125	2034.1812	221	101	216	180	83	157	125	4



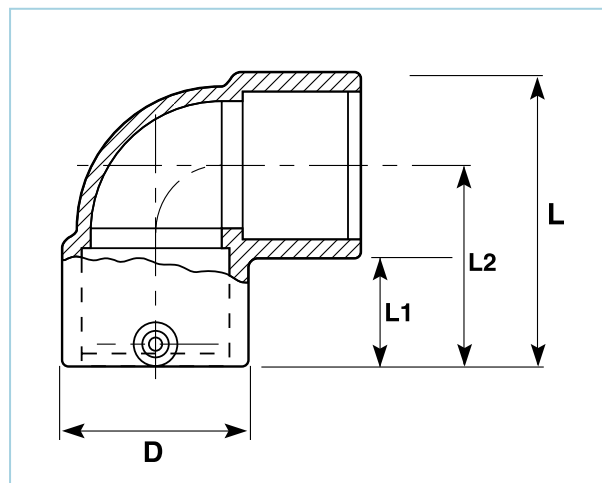
# ELECTROFUSION 90° ELBOW (2054)

PE100 • SDR11-SDR17 • PN16 WATER • 1000KPA GAS

SIZE (mm)	PRODUCT CODE	L (mm)	L1 (mm)	L2 (mm)	D (mm)	D1 (mm)	BOX QTY
20	2054.0020	82	44	64	36	20	40
25	2054.0025	76	41	60	35	25	100
32	2054.0032	84	40	62	44	32	80
40	2054.0040	91	42	65	52	40	65
50	2054.0050	103	45	72	63	50	50
63	2054.0063	123	50	84	80	63	25
75	2054.0075	141	53	92	95	75	20
90	2054.0090	165	60	109	113	90	15
110	2054.0110	204	73	135	137	110	6
125	2054.0125	228	75	152	154	125	6
160	2054.0160 </td <td>305</td> <td>87</td> <td>205</td> <td>201</td> <td>160</td> <td>2</td>	305	87	205	201	160	2
180	2054.0180	308	90	197	222	180	2

Note: Up to 250 mm fittings are available.

82

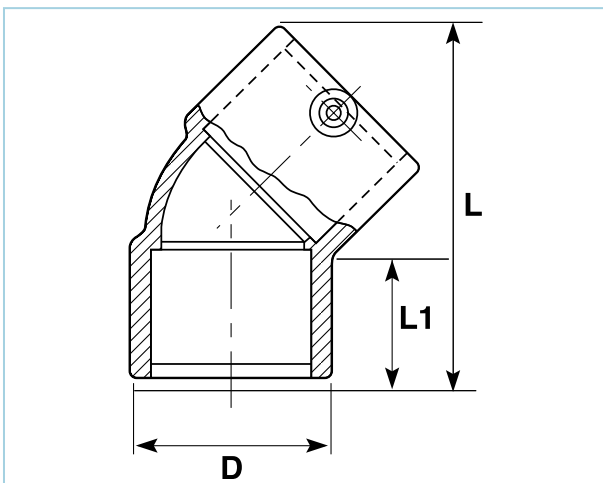


# ELECTROFUSION 45° ELBOW (2104)

PE100 • SDR11-SDR17 • PN16 WATER • 1000KPA GAS

SIZE (mm)	PRODUCT CODE	L (mm)	L1 (mm)	D (mm)	D1 (mm)	BOX QTY
32	2104.0032	99	39	44	32	100
40	2104.0040	108	41.5	53	40	70
50	2104.0050	124	44.5	64	50	50
63	2104.0063	137	50	78.5	63	30
75	2104.0075	165	54	94	75	20
90	2104.0090	177	60	117	90	18
110	2104.0110	213	75	137	110	10
125	2104.0125	240	81	154	125	6
160	2104.0160	283	89	201	160	4
180	2104.0180	299	90	222	180	2

Note: 22.5° elbow (2124) available in 180mm and other sizes.  
Up to 250 mm fittings are available.





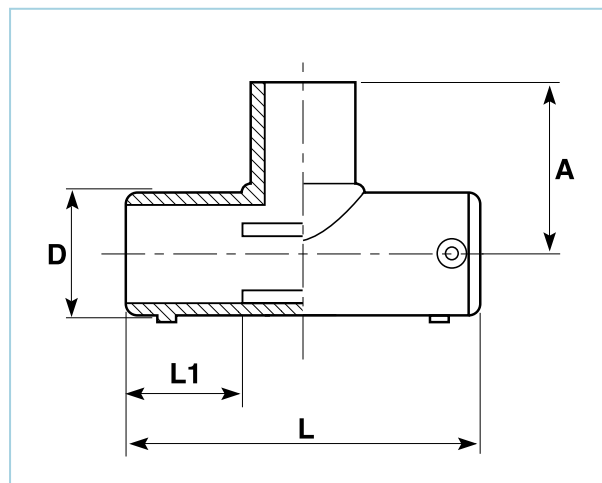
# ELECTROFUSION EQUAL TEE (2154)

PE100 • SDR11-SDR17 • PN16 WATER • 1000KPA GAS

SIZE (mm)	PRODUCT CODE	L (mm)	L1 (mm)	D (mm)	D1 (mm)	D2 (mm)	A (mm)	BOX QTY
20	2154.0020	98	35	30	20	20	86	75
25	2154.0025	98	35	35	25	25	88.5	45
32	2154.0032	98	32	44	32	32	93	30
40	2154.0040	131	44	52	40	40	91	18
50	2154.0050	141	43	63	50	50	104	25
63	2154.0063	156	50	82	63	63	114	20
75	2154.0075	174	55	100	75	75	134	12
90	2154.0090	206	64	115	90	90	143	10
110	2154.0110	239	73	139	110	110	157	6
125	2154.0125	264	80	156	125	125	182	4
160	2154.0160	313	89	200	160	160	211	2
180	2154.0180	334	90	222	180	180	232	2

Note: Centre of tee is a spigot fitting. A coupler is required.  
Up to 250 mm fittings are available.

84

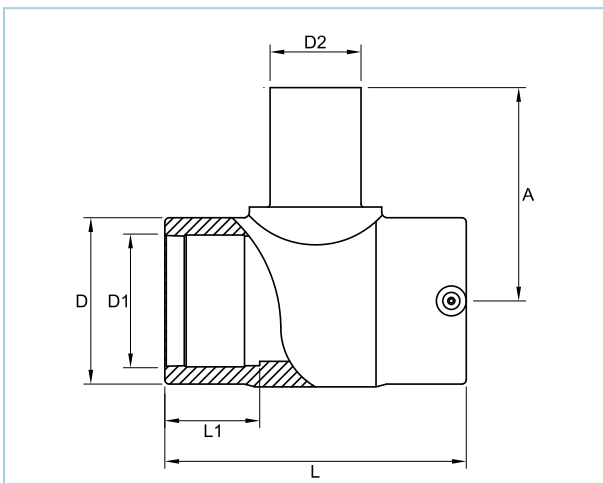


# ELECTROFUSION REDUCING TEE (2164)

PE100 • SDR11-SDR17 • PN16 WATER • 1000KPA GAS

SIZE (mm)	PRODUCT CODE	L (mm)	L1 (mm)	D (mm)	D1 (mm)	D2 (mm)	A (mm)	BOX QTY
50 x 25	2164.5025	139	48	68	50	25	78	64
50 x 40	2164.5040	144	49	67	50	40	101	25
63 x 40	2164.6340	154	34	81	63	40	108	24
63 x 50	2164.6350	157	51	83	63	50	118	26
90 x 63	2164.9063	206	63	115.5	90	63	138	12
110 x 63	2164.1163	239	73	142	110	63	147	8
110 x 90	2164.1190	239	73	139	110	90	162	6
125 x 63	2164.1263	266	79	157	125	63	500	3
125 x 90	2164.1290	264	80	156	125	90	196	4
125 x 110	2164.1211	262	76	156	125	110	359	1
160 x 63	2164.1663	367	112	210	160	63	385	2
160 x 90	2164.1690	365	112	210	160	90	385	2
160 x 110	2164.1611	313	89	200	160	110	202	2
160 x 125	2164.1612	365	112	213	160	125	410	2
180 x 125	2164.1812	330	90	222	180	125	222	2

Note: Centre of tee is a spigot fitting. A coupler is required.  
Up to 250 mm fittings are available.



# ELECTROFUSION TAPPING SADDLE (2214)

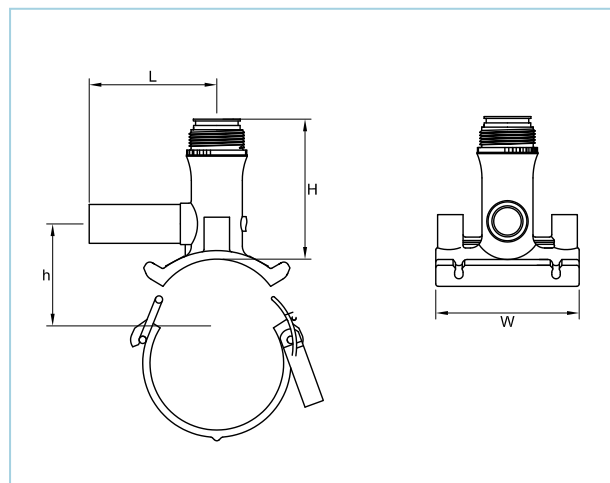
PE100 • SDR11-SDR17 • PN16 WATER • 1000KPA GAS

SIZE (mm)	PRODUCT CODE	L (mm)	H (mm)	H1 (mm)	W (mm)	BOX QTY
40 x 20	2214.4020	105	110	27	120	15
40 x 32	2214.4032	105	110	27	120	15
50 x 32	2214.5032	105	110	27	120	15
63 x 20	2214.6320	105	104	73	120	10
63 x 32	2214.6332	105	119	62	120	10
63 x 40	2214.6340	165	155	59.5	146	10
63 x 63	2214.6363	165	155	60	146	10
90 x 32	2214.9032	105	110	77	120	15
90 x 63	2214.9063	165	152	57	146	10
110 x 20	2214.1120	105	117	87	120	10
110 x 32	2214.1132	105	117	87	120	10
110 x 40	2214.1140	165	176	105	146	10
110 x 63	2214.1163	165	176	105	146	10
125 x 32	2214.1232	105	117	95	120	10
125 x 63	2214.1263	165	112	112	146	10
160 x 20	2214.1620	105	122	112	120	10
160 x 32	2214.1632	105	122	112	120	10
160 x 40	2214.1640	165	182	137	146	10
160 x 63	2214.1663	165	137	182	146	10
180 x 32	2214.1832	105	122	122	120	10
180 x 63	2214.1863	165	147	183	146	10
200 x 32	2214.2032	105	122	132	120	10
200 x 63	2214.2063	105	157	183	146	10
225 x 20	2214.2220	105	122	122	120	10
225 x 40	2214.2240	165	183	169	146	5
225 x 63	2214.2263	165	169	183	146	5
250 x 63	2214.2563	165	183	182	146	5

Note 1: Larger sizes & live tapping saddles available on request.

Note 2: Extensive range of main and branch options available. Please contact us if the tapping saddle you require is not listed above.

Note 3: "No-blow" tube attachment supplied as standard for tapping into live mains

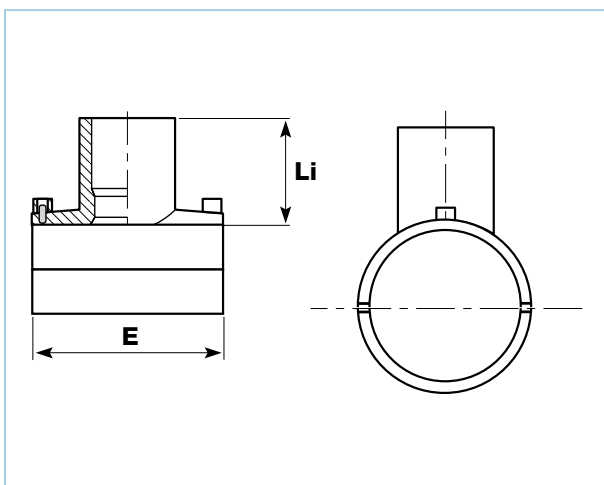


# ELECTROFUSION BRANCH SADDLE (2224)

PE100 • SDR11-SDR17 • PN16 WATER • 1000KPA GAS

SIZE (mm)	PRODUCT CODE	L1 (mm)	E (mm)	BOX QTY
63 x 32	2224.6332	106	105	10
63 x 40	2224.6340	106	105	10
63 x 50	2224.6350	106	105	10
63 x 63	2224.6363	106	105	10
90 x 63	2224.9063	124	144	10
110 x 63	2224.1163	70	165	5
110 x 90	2224.1190	121	165	5
125 x 63	2224.1263	102	118	5
125 x 90	2224.1290	84	180	5
160 x 63	2224.1663	114	118	2
160 x 90	2224.1690	110	215	2
160 x 110	2224.1611	121	217	2
180 x 90	2224.1890	100	215	2
180 x 110	2224.1811	121	217	2
180 x 125	2224.1812	121	217	2
200 x 63	2224.2063	104	118	2
200 x 90	2224.2090	115	165	2
225 x 63	2224.2263	104	118	2
225 x 90	2224.2290	113	165	2
225 x 125	2224.2212	123	310	2
250 x 63	2224.2563	104	118	2
250 x 90	2224.2590	120	165	2
250 x 125	2224.2512	110	310	2
280 x 63	2224.2863	104	118	2
315 x 63	2224.3163	104	118	2
355 x 63	2224.3563	104	118	2

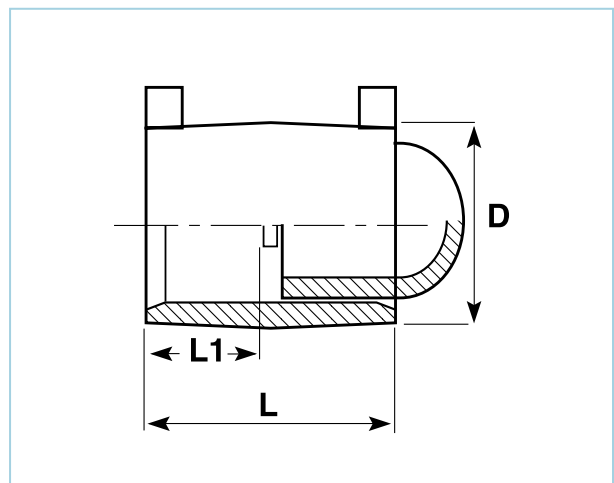
Larger sizes and live tapping systems available on request



# ELECTROFUSION END CAP (2274)

PE100 • SDR11-SDR17 • PN16 WATER • 1000KPA GAS

SIZE (mm)	PRODUCT CODE	L (mm)	L1 (mm)	D (mm)	BOX QTY
20	2274.0020	82	38	29	100
25	2274.0025	82	38	34	100
32	2274.0032	84	38	43	80
40	2274.0040	97	44	52	100
50	2274.0050	101	44	62	70
63	2274.0063	115	49	77	30
75	2274.0075	133	59	92	20
90	2274.0090	138	60	110	24
110	2274.0110	164	70	133	14
125	2274.0125	175	75	151	10
140	2274.0140	236	79	172	6
160	2274.0160	202	86	195	4
180	2274.0180	214	91	220	4
200	2274.0200	215	92	243	4
225	2274.0225	222	109	270	2
250	2274.0250	220	108	295	2
280	2274.0280	390	127	345	1
315	2274.0315	395	128	386	1



88

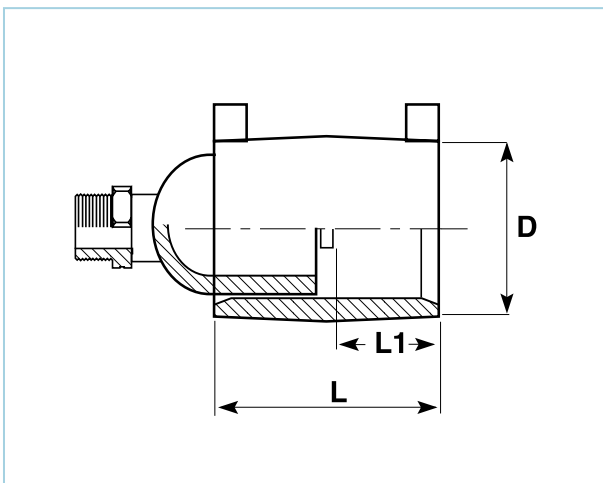


# EF TEST END CAP WITH BRASS MALE BSP THREAD (2284)

PE100 • SDR11-SDR17 • PN16 WATER • 1000KPA GAS

SIZE (mm)	PRODUCT CODE 3/4" (20mm) BSP	PRODUCT CODE 1" (25mm) BSP	L (mm)	L1 (mm)	D (mm)	BOX QTY
90	2284.9020	2284.9025	193	60	110	25
110	2284.1120	2284.1125	220	70	133	18
125	2284.1220	2284.1225	230	75	151	10
140	2284.1420	2284.1425	257	89	176	6
160	2284.1620	2284.1625	269	85	196	4
180	2284.1820	2284.1825	270	91	220	4
200	2284.2020	2284.2025	275	108	243	2
225	2284.2220	2284.2225	277	109	276	2
250	2284.2520	2284.2525	291	108	301	2
280	2284.2820	2284.2825	445	127	345	1
315	2284.3120	2284.3125	452	128	386	1

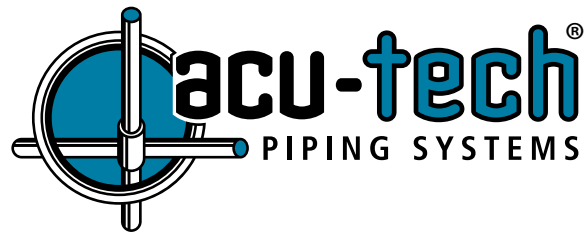
Note: Other sizes and female threads available on request.



# ADDITIONAL SERVICES

From a fully equipped fabrication workshop to a nation-wide Registered Training Organisation, we have many additional services to assist you in completing your project. Need more information? Call us now on 1300 270 270





Fabrication Services Overview	92-97
Equipment Hire	98-101
Polyweld Tech Academy	102-103



Polyethylene & Polypropylene Fabrication Services

## Delivered on-time, to specification, with the documentation complete.

If you're tired of long lead times and poor quality, or need a PE fabrication job completed urgently because your client has amended their plans at the last minute, then our Acu-Fab department can help.

With a fully equipped fabrication workshop and experienced and qualified operators, Acu-Tech Piping Systems fabricates pipe spools and components from pipe and sheet to suit client requirements.

92

Call us now on 1300 270 270

[www.acu-tech.com.au](http://www.acu-tech.com.au)



# Shorter Lead Times

We understand that you are often working to tight deadlines and need your poly fabrications fast!

That's why we have a 6,000 m<sup>2</sup> HDPE fabrication facility with a fully equipped workshop to ensure your fabrication is completed on time. We also have the capacity to put on extra shifts for those really urgent jobs.

And because the Acu-Fab division is located within the Acu-Tech factory complex, raw materials are directly available which helps to reduce lead times. This also allows the Acu-Fab team access to the extensive knowledge, experience and resource of the wider Acu-Tech team.

Logistics is where we can help you reduce delays too. With in-house expertise and good relationships with quality transport companies, we'll get it to your site fast and cost effectively!





## PIPEWORK FABRICATIONS:

- Pipe Spool fabrication
- Pipework and valve preassembly service
- Manifolds
- Puddle flanges
- Bore Headworks
- Suction lines
- Pump pipework
- Poly floats and pontoons
- Offsets
- Scour Tees
- Overflows
- Suction strainers
- Full face flanges
- Flanged Pipes and fittings

## SHEET FABRICATIONS:

- Customised Fabrications from sheet (cut/ roll/ bend/ weld/ machine):
- Fabricated plastic tanks and hoppers
- Inspection pits
- Sumps
- Chutes and Chute Lining
- Wear Lining Systems
- Pylon and pile sleeving
- Bunds and spill containment
- Machining and CNC routing of HDPE PVC and PP









## Design Support

Do you need a complex pipe spool or tank fabricated? Limited space to work with? Struggling with a metal corrosion problem?

The fabrication possibilities in HDPE are limited only by your imagination! The fully qualified Acu-Fab team has decades of combined experience, so fabrication complexity is a challenge we enjoy. We can fabricate almost anything from poly pipe and sheet.

We work in partnership with our clients to provide bespoke, pre-fabricated solutions

Call us now on 1300 270 270





# Quality Assurance & Documentation:

We understand that Quality Assurance and MDR (Manufacturer Data Records) are key requirements of major projects. With the combination of:

- Quality Management Systems to ISO 9001,
- Fully qualified and experienced staff,
- Calibrated fusion welding equipment,
- Access to the Polyweld Tech NATA Accredited Weld and Materials Testing Laboratory located next door.

Acu-Fab has the capability to produce high quality fabrications in accordance with your specifications, and will ensure that all QA/QC documentation requirements are fully completed as required.



Looking to purchase or hire high-density polyethylene welding machines? Want to expand your market and increase your company's capabilities and turnover? Consider Acu-Tech as your HDPE fusion equipment partner!

Acu-Tech offers a wide range of butt, extrusion, and electrofusion welding machines and accessories to suit your needs:

## ACU-TECH E.F. WELDERS

Acu-Tech's new generation EF300 & EF300GPS electrofusion welding machines are robust, boasting an array of unique and revolutionary features, including GPS data logging.

Key benefits include:

- Welding range of diameters up to 1,200 mm.
- Automatic data logging of 10,000 welding reports.
- Data can be managed on your phone – via Bluetooth & the 'WeldTrace' app.
- Easy to use – will sit on its back for better access.
- Optional recording of GPS location of each weld (EF300GPS units only).
- The strong handle also doubles as a cord holder.
- Comes with an aluminium carry case.
- Fitting information can be entered by barcode, fusamatic pin or manual entry.
- USB connection and Bluetooth connectivity to easily download report data.
- Multilingual, easy-to-understand interface, with simple colour-coded control buttons.

For EF drainage fittings (non-pressure fittings), we have the EFD160 welder. Easy to use, weighing just 1.7 Kg.



## GENERATORS

Acu-Tech supplies a wide range of generators for powering fusion welding equipment. From light duty petrol units for Electrofusion welding to diesel powered Mine-Spec generators, we have the solution for you.



## EXTRUSION WELDERS

Acu-Tech supplies and services a range of quality extrusion welders to suit all applications. Key features include:

- Output rates from 2.2 Kg to 3.4 Kg per hour.
- Temperature control safety system cold start control.
- Motor protection with optical display.
- Double-sided wire feed.
- Rotating handle, with an additional side handle.
- 360°-adjustable welding shoe with integrated air guide.
- The extrusion welder comes in a kit with: Instruction manual, transport case, T-handle, hex wrench, HDPE welding wire 4 mm, carbon brush for drive motor, K8/10 welding shoe kit, heating element, and brass brush.

Acu-Tech also supplies HDPE welding wire & HDPE sheet.



## BUTT FUSION WELDERS

- Electro-hydraulic butt fusion welders in various configurations from 63 mm up to 630 mm.
- Fully self-contained, semi-automated, all-terrain Butt fusion welders.
- Able to weld pipe between  $\varnothing$  125-355 mm and  $\varnothing$  225-630 mm.
- These machines are also capable of High Pressure Welding according to ISO 21307:2011.
- Automated CNC butt fusion welders can be supplied upon request, up to 2,000 mm..

## CALIBRATION & SERVICING

To complete the package, Acu-Tech's qualified technicians provide maintenance, repair and calibration services for butt and electrofusion equipment from our fully equipped workshop in Maddington, W.A.





## DISPOSABLE WELDING WIPES

- Prevent contamination of the weld zone by using these safe & convenient disposable wiping cloths.
- 90% Isopropyl alcohol impregnated.
- Comes in a tub containing 75 wipes.
- Product code: 9991.0075.
- To download the MSDS for Poly Welding Wipes, scan the QR code below to jump to our website!



Welding Wipes MSDS



## WELDING CLAMPS

- We supply a large range of different styles of welding clamps for electrofusion welding.
- Alignment clamps are essential, even for smaller size pipe, to keep the pipe aligned and prevent excessive drag, during the poly welding process and cooling time.
- Clamps are available from 20 mm to 63 mm capacity, and larger welding clamps that can hold up to 710 mm poly pipe.



## PIPE CUTTERS, SQUEEZE-OFF TOOLS & RE-ROUNDING CLAMPS

- We offer a range of pipe installation equipment,
- Squeeze-off tools in both manual & hydraulic configurations from 20 mm up to 355 mm.
- Re-Rounding clamps 20 mm to 710 mm.
- Pipe cutters 32 mm up to 315 mm.



## HAND SCRAPER

- For hand scraping of any pipe & spigot fittings, before EF welding.
- Ergonomic rubber handle.
- 4 sided replaceable blade.



Scraping is a critical step in the electrofusion process, as inadequate removal of the oxidised surface prevents the pipe and fitting from fusing together, leading to joint leaks.

Hand scraping requires great care and is difficult (particularly with limited space), time consuming and physically demanding especially on larger diameter pipes. It is also hard to achieve consistent peel strip removal of the surface.

Acu-Tech offers a state-of-the-art range of rotary pipe scrapers which provide the following benefits:

- Save time – fast and efficient.
- Consistent quality – remove a continuous 'ribbon' strip to 0.2-0.3 mm depth.
- Safe – no sharp edges like hand scrapers.
- Spring loaded scraping tip follows variation in pipe wall thickness and ovality.
- Versatile design means a large operating range for pipe diameter and wall thickness.
- Comes with a convenient storage case.

## PREPMASTER MULTI ROTARY SPRING-LOADED ROTARY SCRAPERS

- PrepMaster Multi scrapers incorporate a hardened, replaceable blade and give a controlled depth of cut.
- Scrapers available in the following sizes: 63-315 mm, 90-400 mm, 110-500 mm, and 250-710 mm.
- 4 sided cutting blade which can be rotated to extend cutting life. Replacement blades are available.
- A rotary HDPE scraper gives you confidence that all of the 0.2 mm contaminated layer of poly has been removed, so the pipe can be electrofusion welded without the risk of failure.
- Versatile design gives the scraper a large operating range for pipe diameter and wall thickness.



## PREPMASTER MONO PIPE SCRAPER

- Mini scraper specifically designed to scrape small pipe sizes that cannot be performed by rotary scrapers.
- One tool per pipe/pipe-wall size, from 20 mm to 63 mm outside diameter, comes in protective box.



## TURBO PIPE SCRAPER

- Turbo Pipe Scrapers or PE Pipe Peelers are available to suit 20 mm to 63 mm HDPE pipe, with a different tool required for each size.
- Fast action saves time and reduces mistakes.
- Very easy to use - Simply fits on the end of a power drill or battery drill, and scrapes the pipe evenly and smoothly as the insert unwinds.



For detailed specifications, model numbers and prices contact our friendly sales team on 1300 270 270





## OUR VISION

To be recognised as the leading provider of HDPE joint and material testing services, and plastics welder training.

[www.polyweldtech.com.au](http://www.polyweldtech.com.au)





Polyweld Tech (PWT) is both a NATA endorsed laboratory and Registered Training Organisation specialising in the following areas:

### Training:

PWT is accredited to deliver the following Nationally Recognized plastics welder training programs within the PMB07 and UEG11 Training Packages:

- Butt Weld Polyethylene Plastic Pipelines (PMBWELD301)
- Electrofusion Weld Polyethylene Pipelines (PMBWELD302)
- Weld Plastics using Extrusion Techniques (PMBWELD309)

Our highly experienced trainers will happily travel nationwide or overseas to a location convenient for you. The combination of training and testing gives us helpful insight into the areas of welding that may require attention.



### Testing:

PWT's NATA endorsed laboratory provides destructive joint testing and material. With the latest technology and experienced technicians we guarantee accurate results.

Testing services include:

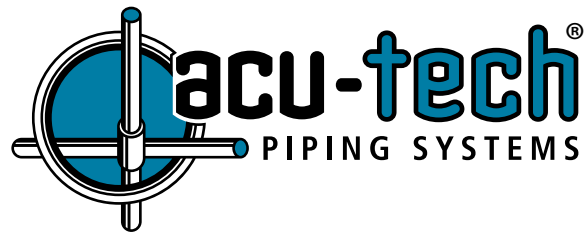
- Tensile Testing of butt welded joints to ISO 13953 - Polyethylene (PE) pipes and fittings - Determination of the tensile strength and failure mode
- Bend Testing of butt welded joints to BS EN 12814.1 - 2000 - Testing of welded joints - Bend test
- Electrofusion joint Peel Decohesion testing to ISO 13954 - Peel decohesion test for electrofusion assemblies
- Electrofusion joint Crush Decohesion testing to ISO 13955 - Plastics pipes and fittings - Crushing decohesion test for polyethylene (PE) electrofusion assemblies
- Shear and Peel Strength tests on geomembrane HDPE liners to ASTM D6392 - Determining the Integrity of Nonreinforced Geomembrane Seams Produced Using Thermo-Fusion
- Oxidation Induction Time (OIT) to 11357-6 Part 6: Determination of oxidation induction time
- Melt Flow Rate Testing to ISO 1133 Plastics—Determination of the melt mass-flow rate (MFR) and the melt volume-flow rate (MVR) of thermoplastics
- Differential Scanning Calorimetric Analysis
- Moisture and Volatile Content Analysis

Call us now on (08) 9452 3000



# USEFUL INFORMATION

Acu-Tech offers custom and specialized fittings including fully pressure rated tees, junctions and flanges machined from solid and hollow bar. Our versatile and innovative fabrication department is able to design the most cost effective and sustainable solutions for the project at hand. Should you require further information, do not hesitate to contact our technical sales team on 1300 270 270.



Truck Pipe & Coil Capacity	106
Bending Radius	107
Unit Conversion	108-111

# APPROXIMATE PIPE CAPACITY OF TRUCKS

## STRAIGHT LENGTHS

PIPE O.D (mm)	No. OF PIPES	PIPE O.D (mm)	No. OF PIPES
110mm	462	315mm	63
125mm	396	355mm	48
140mm	374	400mm	40
160mm	252	450mm	32
180mm	170	500mm	24
200mm	165	560mm	18
225mm	114	630mm	12
250mm	108	710mm	12
280mm	80	800mm	9

## COILS

PIPE O.D (mm)	No. OF COILS
63	45
75	40
90	25
110 (100m)	20
125	16
160	12

NOTE: This information is provided as a guide only. Our transport team have decades of experience, so call us today for advice on your project logistics.

106





DN	Minimum Site Bending Radius (metres)	DN	Minimum Site Bending Radius (metres)
20	0.5	250	6.3
25	0.6	280	7.0
32	0.8	315	7.9
40	1.0	355	8.9
50	1.3	400	10.0
63	1.6	450	11.3
75	1.9	500	12.5
90	2.3	560	14.0
110	2.8	630	15.8
125	3.1	710	17.8
140	3.5	800	20.0
160	4.0	900	22.5
200	5.0	1000	25.0
225	5.6	1200	30.0

PE100 pipes may be bent or curved on site. The minimum bend radius for SDR11 and SDR17 pipes is 25 times the pipe OD, increasing to 35 times the pipe OD in very cold weather. For thin-walled SDR26 and SDR33 pipes, these values should be increased by 50%. Thicker walled pipes require special consideration, please contact us for more information.

Electrofusion or mechanical joints and fittings should not normally be incorporated in sections of pipework which are to be bent. Instead a formed bend or elbow should be welded into the pipeline in order to prevent excessive stress. The use of pegs or stakes in the trench to define the radius of the designed curve, or to restrain the pipe during installation, is not permitted. Bending tends to be localized at the pegs or stakes and, if they are left in the trench when it is filled, highly localized stresses may cause premature failure of the pipeline.



# UNIT CONVERSION

## LENGTH

	mm	cm	m	km	in	ft	yd	mi
mm	1	10	1000	1000000	25.4	1859.28	914.4	1609344
cm	0.1	1	100	100000	2.54	185.928	91.44	160934.4
m	0.001	0.01	1	1000	0.0254	1.85928	0.9144	1609.344
km	0.000001	0.00001	0.001	1	0.0000254	0.00185928	0.0009144	1.609344
in	0.039370079	0.393700787	39.37007874	39370.07874	1	12	36	63360
ft	0.00328084	0.032808399	3.280839895	3280.839895	0.083333333	1	3	5280
yd	0.001093613	0.010936133	1.093613298	1093.613298	0.027777778	0.033333333	1	1760
mi	6.21371E-07	6.21371E-06	0.000621371	0.621371192	1.57828E-5	0.001155303	0.000568182	1

## AREA

	mm <sup>2</sup>	cm <sup>2</sup>	m <sup>2</sup>	km <sup>2</sup>	in <sup>2</sup>	ft <sup>2</sup>	yd <sup>2</sup>	mi <sup>2</sup>
mm <sup>2</sup>	1	100	1000000	1E+12	645.16	92903.04	836127.36	2.58999E+12
cm <sup>2</sup>	0.01	1	10000	10000000000	6.4516	929.0304	8361.2736	25899881103
m <sup>2</sup>	0.000001	0.0001	1	1000000	0.00064516	0.09290304	0.83612736	2589988.11
km <sup>2</sup>	1E-12	1E-10	0.000001	1	6.4516E-10	9.2903E-08	8.36127E-07	2.58998811
in <sup>2</sup>	0.001550003	0.15500031	1550.0031	1550003100	1	144	1296	4014489600
ft <sup>2</sup>	1.07639E-05	0.001076391	10.76391042	10763910.42	0.006944444	1	9	27878400
yd <sup>2</sup>	1.19599E-06	0.000119599	1.195990046	1195990.046	0.000771605	0.111111111	1	3097600
mi <sup>2</sup>	3.86102E-13	3.86102E-11	3.86102E-07	0.386102159	2.49098E-10	3.58701E-08	3.22831E-07	1

## VOLUME

	Imp gal	in <sup>3</sup>	ft <sup>3</sup>	L	mm <sup>3</sup>	m <sup>3</sup>	oz	cup
Imp gal	1	0.004329004	7.480519481	0.264172052	2.64172E-07	264.1720524	0.0078125	0.0625
in <sup>3</sup>	231	1	1728	61.02374409	6.10237E-05	61023.74409	1.8046875	14.4375
ft <sup>3</sup>	0.133680556	0.000578704	1	0.035314667	3.53147E-08	35.31466672	0.001044379	0.008355035
L	3.785411784	0.016387064	28.31684659	1	0.000001	1000	0.02957353	0.236588237
mm <sup>3</sup>	3785411.784	16387.064	28316846.59	1000000	1	1000000000	29573.52956	236588.2365
m <sup>3</sup>	0.003785412	1.63871E-05	0.028316847	0.001	0.000000001	1	2.95735E-05	0.000236588
oz	128	0.554112554	1915.012987	33.8140227	3.3814E-05	33814.0227	1	8
cup	16	0.069264069	119.6883117	4.226752838	4.22675E-06	4226.752838	0.125	1

## FLOW

	L/s	m <sup>3</sup> /s	m <sup>3</sup> /h	imp gal/min	ft <sup>3</sup> /min
L/s	1	0.001	3.6	13.198154898	2.11888
m <sup>3</sup> /s	1000	1	3600	13198.154897945	2118.88
m <sup>3</sup> /h	0.27778	0.000278	1	3.666154138	0.5885777
imp gal/min	0.07577	0.0000758	0.27276	1	0.1605436
ft <sup>3</sup> /min	0.47195	0.00472	1.69901	6.228835459	1



MASS					
	g	lb	oz	Kg	t
g	1	453.59237	28.34952313	1000	907184.74
lb	0.002204623	1	0.0625	2.204622622	2000
oz	0.035273962	16	1	35.27396195	32000
Kg	0.001	0.45359237	0.028349523	1	907.18474
t	1.10231E-06	0.0005	0.00003125	0.001102311	1

MASS/UNIT TIME					
	lb/s	Kg/s	g/s	ton/h	t/h
lb/s	1	0.45359	453.59	1.6071	1.6329
Kg/s	2.2046	1	1000	3.5431	3.6
g/s	0.0022046	0.001	1	0.0035431	0.0036
ton/h	0.62222	0.28224	282.24	1	1.016
t/h	0.6124	0.27778	277.78	0.98421	1

WORK, ENERGY, HEAT (1J = 1W.S)								
	J	KJ	MJ	Kw.h	Btu	hp.h	Kgf.m	lbf.ft
J	1	0.001	0.000001	0.00000003	0.000948	0.000000373	0.10197	0.73756
KJ	1000	1	0.001	0.0002778	0.947817	0.000372506	101.971621	737.562
MJ	1000000	1000	1	0.277778	947.8171	0.372506	101971.621	737562.15
Kw.h	3600000	3600	3.6	1	3412.142	1.341022	367097.837	2655223.74
Btu	1055.056	1.055	0.001055	0.00029307	1	0.0003930	107.585756	778.169262
hp.h	2684519.54	2684.52	2.684519	0.74569987	2544.434	1	273744.81	1979999.99
kgf.m	9.80665	0.0098	0.0000098	0.00000272	0.009295	0.000003653	1	7.23301385
lbf.ft	1.35581795	0.00136	0.0000014	0.00000038	0.001285	0.000000505	0.13825495	1

VELOCITY, SPEED				
	ft/s	m/s	mi/h	km/h
ft/s	1	0.3048	0.6818	1.09728
m/s	3.2808	1	2.23694	3.6
mi/h	1.4667	0.44704	1	1.609344
km/h	0.91134	0.27778	0.62137	1

TEMPERATURE	
Degrees: Fahrenheit To Celcius	Degrees: Celcius To Fahrenheit
$(^{\circ}\text{F} - 32) \times 5/9 = ^{\circ}\text{C}$	$(^{\circ}\text{C} - 9/5) + 32 = ^{\circ}\text{F}$



# UNIT CONVERSION

## FORCE

	N	kN	kp	pdl	lbf
N	1	0.001	0.10197	7.233	0.22481
kN	1000	1	101.97	7233	224.81
kp	9.8067	0.0098067	1	70.932	2.2046
pdl	0.13825	0.00013825	0.014098	1	0.031081
lbf	4.4482	0.00844482	0.45359	32.174	1









## TORQUE

	N.m	ft.lbf	m.kgf	ft.ozf
N.m	1	0.73756	0.10197	11.801
ft.lbf	1.3558	1	0.13825	16
m.kgf	9.8067	7.233	1	115.73
ft.ozf	0.084739	0.0625	0.0086409	1

## POWER, HEAT FLOW RATE

	W	kW	hp	ftlbf/s	Btu/h
W	1	0.001	0.001341	0.737562149	3.412141633
kW	1000	1	1.34102209	737.562149278	3412.141633128
hp	745.699871582	0.7456	1	550.000000001	2544.433577644
ftlbf/s	1.355817948	0.001355818	0.001818182	1	4.626242868
Btu/h	0.29307107	0.000293071	0.000393015	0.216158128	1

## STRIPING AND COLOUR CODING GUIDE

	BLACK NO STRIPE	May be used for all applications except for fuel gases
	BLACK/BLUE STRIPE	Drinking Water
	BLACK/YELLOW STRIPE	Fuel gases, process gases, liquified gases under pressure
	BLACK/RED STRIPE	Dedicated water for fire extinguishing supply lines
	WHITE	Communications conduit
	LILAC	Recycled or reclaimed water
	ORANGE	Electrical conduit
	WHITE	Above ground pipelines



See the full list of HDPE pipe colours and stripes on our website.  
Visit [www.acu-tech.com.au/about-us/pipe-colours/](http://www.acu-tech.com.au/about-us/pipe-colours/)



Scan the QR Code to jump straight to the page on our website!



# MAXIMUM ALLOWABLE OPERATING PRESSURE

MAXIMUM ALLOWABLE OPERATING PRESSURE - PE100										
TEMP (° C)	MIN LIFE (yr)	DESIGN FACTOR	PN 4 SDR41	PN 6.3 SDR26	PN 8 SDR21	PN 10 SDR17	PN 12.5 SDR13.6	PN 16 SDR11	PN 20 SDR9	PN 25 SDR7.4
20	100	1.0	40	64	80	100	127	160	200	250
25	100	1.1	36	58	73	91	115	145	182	227
30	100	1.1	36	58	73	91	115	145	182	227
35	50	1.2	33	53	67	83	106	133	167	208
40	50	1.2	33	53	67	83	106	133	167	208
45	32	1.3	31	49	62	77	99	123	154	192
50	22	1.4	29	46	57	71	91	114	143	179
55	15	1.4	29	46	57	71	91	114	143	179
60	7	1.5	27	43	53	67	85	107	133	167
80	1	2.0	20	32	40	50	63	80	100	125

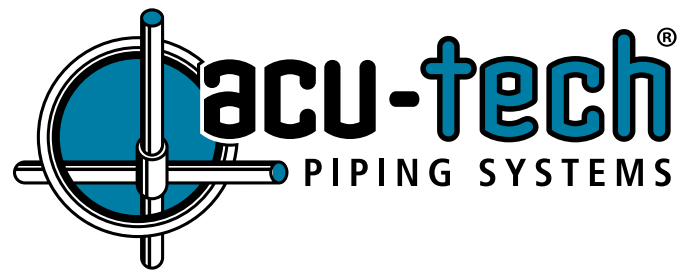
Note: the minimum life periods may be considered to be the minimum potential service lives and represent the maximum extrapolated periods permitted by the ISO 9080 extrapolation rules given the available test data.

## DISCLAIMER

Disclaimer: As always with information supplied by Acu-Tech Piping Systems, we supply it as a guide in the interest of better understanding of the technical properties of our products. However, the application of such information may involve engineering judgements which cannot be correctly made without intimate knowledge of all the conditions pertaining to a specific installation. Acu-Tech Piping Systems does not act as a consultant in this regard; the responsibility for the use of any information or advice contained herein rests solely with the user. It should not be used in place of a professional engineer’s judgement or advice and is not intended as installation instructions. See full disclaimer at [www.acu-tech.com.au/information-disclaimer/](http://www.acu-tech.com.au/information-disclaimer/)

For our terms and conditions relating expressly to this catalogue, see: [www.acu-tech.com.au/terms-conditions/](http://www.acu-tech.com.au/terms-conditions/)





THE HDPE PIPE SYSTEMS SPECIALISTS

Contact us today:  
Phone: 1300 270 270  
Web: [www.acu-tech.com.au](http://www.acu-tech.com.au)

Western Australia  
119 Kelvin Road  
MADDINGTON WA 6109

Victoria  
36 Allied Drive  
TULLAMARINE VIC 3043

Kalgoorlie  
14 Broadwood Street  
WEST KAL. WA 6430